

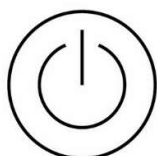
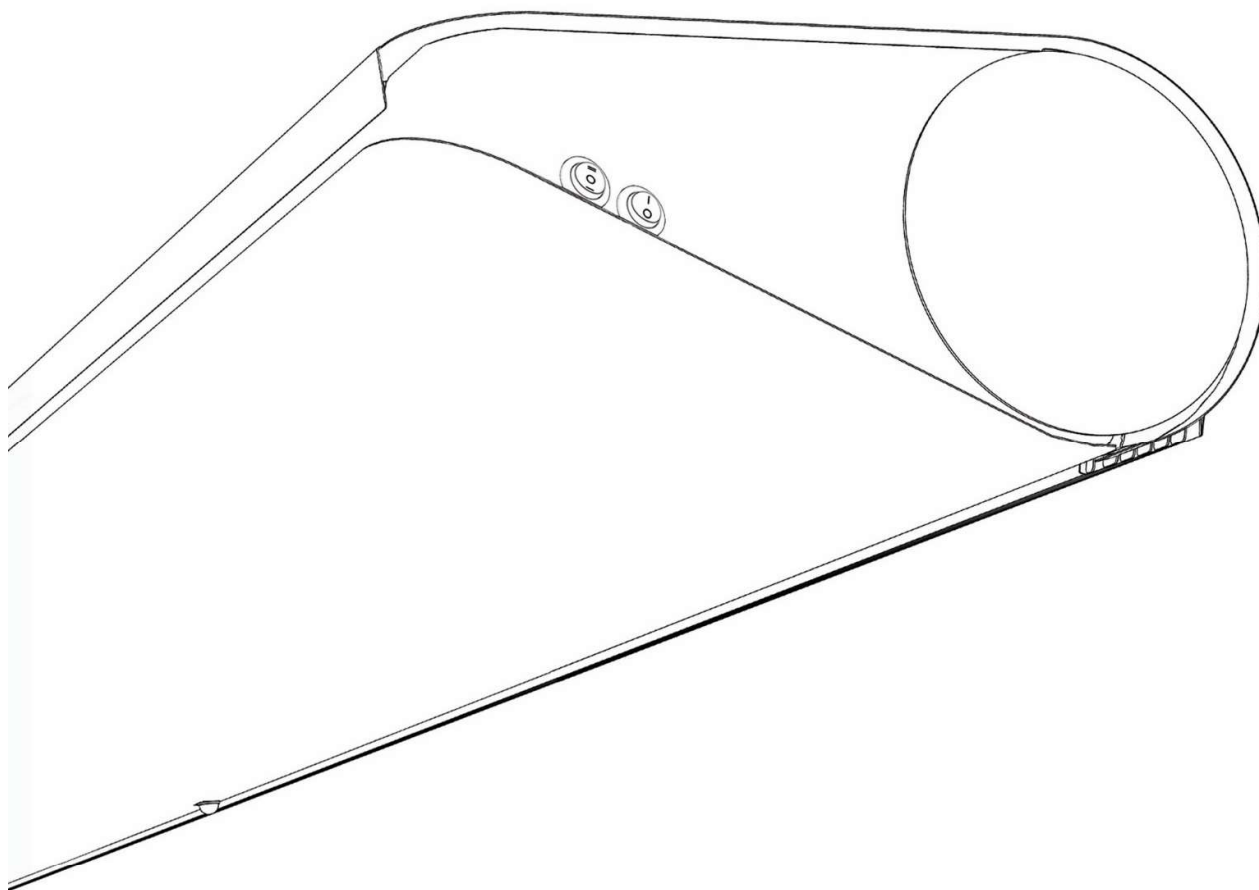


slim

Slim air curtain | Slim kurtyna powietrzna | Воздушная завеса Slim | SLIM Luchtgordijn

Technical documentation·Instruction manual
Dokumentacja techniczna·Instrukcja użytkowania
Техническая документация·Руководство пользователя
Technische documentatie – Montage handleiding

SLIM E/W/N-100
SLIM E/W/N-150
SLIM E/W/N-200



Plug & Play



Motion sensor



Works discreetly for you

TECHNICAL DOCUMENTATION:**EN**

1.	IMPORTANT INFORMATION.....	4
2.	GENERAL INFORMATION	5
3.	CONSTRUCTION	5
4.	TECHNICAL DATA SLIM N/W.....	6
5.	TECHNICAL DATA SLIM E	7
6.	DIMENSIONS	8
7.	INSTALLATION	8
8.	MOUNTING - RECOMMENDED DISTANCES.....	8
9.	MOUNTING - CEILING MOUNTING INSTALLATION WITH THREADED RODS	9
10.	MOUNTING WITH BRACKETS.....	10
11.	CONNECTION OF ELECTRICAL INSTALATION	11
12.	BUILT-IN CONTROL.....	12
13.	BUILT-IN CONTROL – CONNECTION DIAGRAM SLIM E;	13
14.	BUILT-IN CONTROL – CONNECTION DIAGRAM SLIM W; SLIM N;	14
15.	CONTROLS - OPTIONAL ELEMENTS.....	15
16.	ADJUSTMENT OF OUTLET GRILLE.....	15
17.	CONNECTION OF HYDRAULIC INSTALLATION	16
18.	PARAMETERS OF THE HEATING MEDIUM	16
19.	FILTER INSTALLATION	17
20.	OPERATON	17
21.	CLEANING AND MAINTENANCE.....	17
22.	COMPLIANCE WITH 2009/125/EC.....	18
23.	CONFORMITY WITH WEEE DIRECTIVE 2012/19/UE	18
24.	WARRANTY	18
25.	DECLARATION OF CONFORMITY UE.....	67

DOKUMENTACJA TECHNICZNA:**PL**

1.	WAŻNE INFORMACJE	19
2.	INFORMACJE OGÓLNE.....	20
3.	BUDOWA.....	20
4.	DANE TECHNICZNE SLIM N/W	21
5.	DANE TECHNICZNE SLIM E	22
6.	WYMIARY	23
7.	MONTAŻ.....	23
8.	MONTAŻ – ZALECANE ODLEGŁOŚCI.....	23
9.	MONTAŻ ZA POMOCĄ SZPILEK GWINTOWANYCH	24
10.	MONTAŻ ZA POMOCĄ WSPORNIKÓW	24
11.	PODŁĄCZENIE INSTALACJI ELEKTRYCZNEJ	26
12.	STEROWANIE WBUDOWANE.....	27
13.	STEROWANIE WBUDOWANE - SCHEMAT PODŁĄCZENIA SLIM E;.....	28
14.	STEROWANIE WBUDOWANE - SCHEMAT PODŁĄCZENIA SLIM W; SLIM N;	29
15.	STEROWANIE - OPCJONALNE ELEMENTY	30
16.	REGULACJA KRATKI WYLOTOWEJ	31
17.	PODŁĄCZENIE INSTALACJI HYDRAULICZNEJ	31
18.	PARAMETRY CZYNNIKA GRZEWCZEGO	32
19.	MONTAŻ FILTRA.....	32
20.	EKSPLLOATACJA	33
21.	CZYSZCZENIE I KONSERWACJA.....	33
22.	ZGODNOŚĆ Z DYREKTYWĄ 2009/125/WE	33
23.	ZGODNOŚĆ Z DYREKTYWĄ WEEE 2012/19/UE.....	34
24.	WARUNKI SERWISU I GWARANCJI	34
25.	DEKLARACJA ZGODNOŚCI UE	67

ТЕХНИЧЕСКАЯ ДОКУМЕНТАЦИЯ:**RU**

1.	ВАЖНО	36
2.	ОБЩАЯ ИНФОРМАЦИЯ	37
3.	КОНСТРУКЦИЯ.....	37
4.	ТЕХНИЧЕСКИЕ ПАРАМЕТРЫ SLIM-N/W	38
5.	ТЕХНИЧЕСКИЕ ПАРАМЕТРЫ SLIM-E	39
6.	ГАБАРИТЫ.....	40
7.	УСТАНОВКА.....	40
8.	УСТАНОВКА - РЕКОМЕНДУЕМЫЕ РАССТОЯНИЯ.....	40
9.	УСТАНОВКА С ИСПОЛЬЗОВАНИЕМ РЕЗЬБОВЫХ ШПИЛЕК	41
10.	УСТАНОВКА С КРОНШТЕЙНАМИ.....	42
11.	ЭЛЕКТРИЧЕСКОЕ ПОДКЛЮЧЕНИЕ	43
12.	БОРТОВОЕ УПРАВЛЕНИЕ	44
13.	БОРТОВОЕ УПРАВЛЕНИЕ - БЛОК-СХЕМА ПОДКЛЮЧЕНИЯ SLIM E;	45
14.	БОРТОВОЕ УПРАВЛЕНИЕ - БЛОК-СХЕМА ПОДКЛЮЧЕНИЯ SLIM W; SLIM N;.....	46
15.	УПРАВЛЕНИЕ - ДОПОЛНИТЕЛЬНЫЕ ЭЛЕМЕНТЫ	47
16.	РЕГУЛИРОВКА ВЫХОДНОЙ РЕШЕТКИ	48
17.	ПОДКЛЮЧЕНИЕ ГИДРАВЛИЧЕСКОЙ СИСТЕМЫ	48
18.	ПАРАМЕТРЫ ТЕПЛОНОСИТЕЛЯ	49
19.	УСТАНОВКА ФИЛЬТРА	49
20.	ЭКСПЛУАТАЦИЯ.....	50
21.	ОЧИСТКА И ОБСЛУЖИВАНИЕ.....	50
22.	СООТВЕТСТВИЕ ДИРЕКТИВЕ 2009/125/ЕС.....	51
23.	СООТВЕТСТВИЕ ДИРЕКТИВЕ WEEE 2012/19/ЕС.....	51
24.	СЕРВИСНОЕ И ГАРАНТИЙНОЕ ОБСЛУЖИВАНИЕ	51
25.	ДЕКЛАРАЦИЯ О СООТВЕТСТВИИ UE	67

TECHNISCHE DOCUMENTATIE:**NL**

1.	BELANGRIJKE INFORMATIE	52
2.	ALGEMENE INFORMATIE	53
3.	CONSTRUCTIE	53
4.	TECHNISCHE GEGEVENS SLIM N/W	54
5.	TECHNISCHE GEGEVENS SLIM E.....	55
6.	AFMETINGEN	55
7.	INSTALLATIE	56
8.	MONTAGE - AANBEVOLEN AFSTANDEN	56
9.	MONTAGE - PLAFONDMONTAGE MET DRAADSTANGEN	57
10.	MONTAGE MET BEUGELS.....	57
11.	AANSLUITING ELEKTRISCHE INSTALLATIE	58
12.	INGEBOUWDE REGELING	59
13.	INGEBOUWDE REGELING – AANSLUITSCHEMA SLIM E	61
14.	INGEBOUWDE REGELING – AANSLUITSCHEMA SLIM W; SLIM N.....	62
15.	REGELING - OPTIONELE ELEMENTEN.....	63
16.	AFSTELLING VAN DE UITLAATGRILLE.....	63
17.	AANSLUITING VAN HYDRAULISCHE INSTALLATIE	64
18.	PARAMETERS VAN HET VERWARMINGSMEDIUM.....	64
19.	FILTERINSTALLATIE (LOS TE BESTELLEN)	65
20.	GEBRUIK	65
21.	REINIGEN EN ONDERHOUD.....	65
22.	NALEVING VAN 2009/125/EG.....	66
23.	CONFORMITEIT MET WEEE-RICHTLIJN 2012/19/EU.....	66
24.	SERVICE EN GARANTIEVOORWAARDEN	66
25.	CONFORMITEITSVERKLARING UE	67

1. IMPORTANT INFORMATION

We have made every effort to make this manual as easy to understand as possible. However, if you have any difficulties, problems or questions, please contact FLOWAIR support at: info@flowair.pl

Also visit our website www.flowair.pl where you will find mounting tips.

In this manual you will find important safety information and tips marked as below:



WARNING

Dangerous practices which may result in serious injury or death. Read all warnings before starting work.



CAUTION

Unsafe practices which, if not avoided, may result in damage to property or minor injuries. Before starting work, read all cautions.



ADVICE

Useful tips for the user and installer.

IMPORTANT SAFETY INFORMATION:



ADVICE

1. Before installing, connecting, starting up, using and maintaining the device, please read this manual completely.
2. After receiving the product, check that it has not been damaged during transport. If the product appears to be damaged, DO NOT START TO MOUNT THE DEVICE; instead, you must immediately report the damage to the carrier.
3. The device must be mounted in a stable way and in accordance with the instructions, in a place that can be easily accessed, thus ensuring the possibility of carrying out repairs and routine maintenance, as well as allowing easy and safe disassembly of the device.
4. The stability and durability of installation of the device depends on the structure of the building (in particular walls and ceilings). The person performing the assembly should take these conditions into account when mounting the device.
5. The technical documentation should be kept in a safe place, easily accessible to the user and service technician.
6. The nameplate is located next the cable glands on the top of the device.
7. Always test the operation of the device after installation.



CAUTION

1. The power connection shall be performed only by an authorized person.
2. The device may start automatically (when motion is detected in the sensor area).
3. The device is not equipped with a thermostat that controls the room temperature. Do not use the device in small rooms where there are people who are not able to leave the premises alone. Above mentioned does not apply to rooms with constant supervision.
4. The device requires periodic inspections in accordance with the instructions in this manual.
5. Do not hang/put pressure on the device.
6. Do not place any objects on the device or hang anything on the connection stubs.
7. The product should be stored and assembled out of the reach of small children.
8. The device is dedicated to work indoors with a maximum air dustiness of 0.3 g/m³. The device has elements made of aluminum, copper and galvanized steel and cannot be used in an corrosive environment.
9. Equipment cannot be used in an environment where oil mist is present.
10. This equipment may be used by children that are at least 8 years old, by persons with reduced physical and mental abilities and persons with no experience and knowledge of the equipment, on condition that the supervision or instruction regarding correct use of the equipment in a safe manner is provided and the possible threats are understood. The device cannot be used by children to play. Unattended children should not clean or maintain the equipment.
11. The device in electric version (SLIM E) may give off a smell of burning dust at first start up or if it is starting after a long standstill.



WARNING

1. The device is powered by dangerous voltage. Always disconnect the device from the power supply before servicing or accessing its internal components.
2. Do not insert your fingers or any objects inside the device.
3. Do not cover the device.

2. GENERAL INFORMATION

SLIM air curtain is a high-quality device that, by creating an air barrier, reduces heat exchange losses. The device is dedicated ONLY for indoor use. The Slim air curtain is intended for horizontal installation above a door opening or vertical installation with a door opening with a maximum height of 4,0 m.

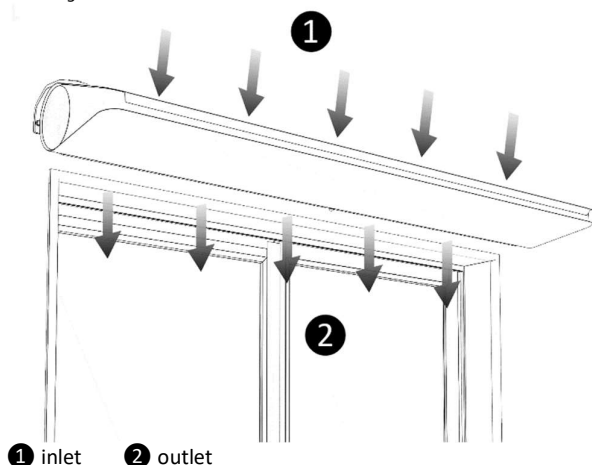
The air curtain is available in a cold/ambient version (without heating), with electric heaters or with a water exchanger:

SLIM E-100; SLIM E-150; SLIM E-200 – air curtains with electric heaters with a maximum range of 3,5 m*;

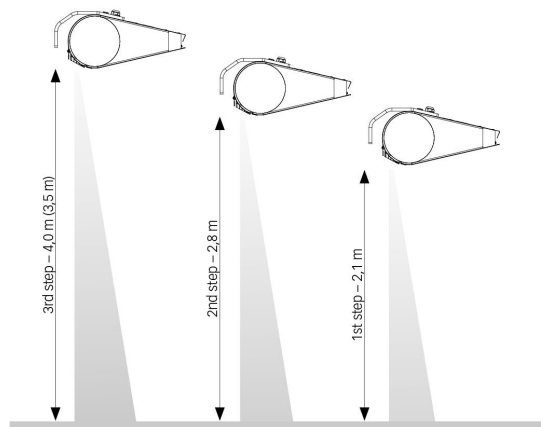
SLIM W-100; SLIM W-150; SLIM W-200 – air curtains with a water heat exchanger with a maximum range of 3,5 m*;

SLIM N-100; SLIM N-150; SLIM N-200 – air curtains without water exchanger max. stream range 4,0 m*.

* according to ISO 27327-1



PIC. 2.1 DIRECTION OF AIR FLOW.



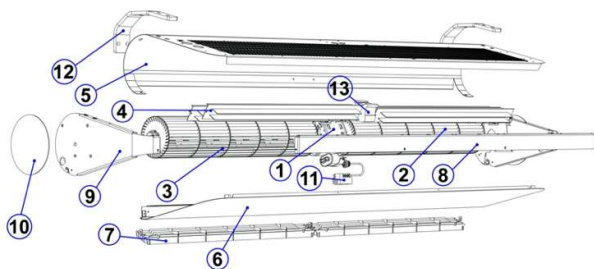
PIC. 2.2 AIR STREAM RANGE FOR DIFFERENT FAN STEPS.



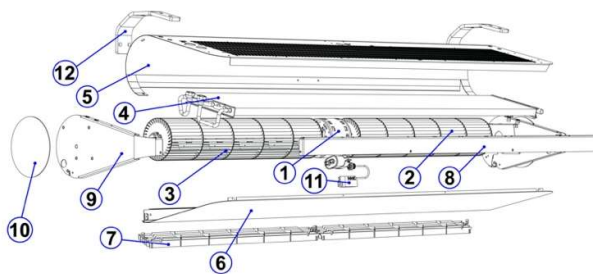
ADVICE

1. The use of a heated air curtain (W or E) is recommended for public buildings.
2. Negative pressure in the building significantly reduces the efficiency of the air barrier, the ventilation system should be balanced.
3. At a wind speed of more than 3 m/s, the heated version of air curtain should be used to increase user comfort.

3. CONSTRUCTION



PIC. 3.1 CONSTRUCTION SLIM E.



PIC. 3.2 CONSTRUCTION SLIM N/W.

1. Engine
2. Left rotor
3. Right rotor
4. Electric heater
5. Top cover *
6. Bottom cover *
7. Outlet grille
8. Front strip *
9. Side cover *
10. Side cover *
11. Motion sensor
12. Mounting bracket (optional element)
13. Contactor

1. Engine
2. Left rotor
3. Right rotor
4. Electric heater
5. Top cover *
6. Bottom cover *
7. Outlet grille
8. Front strip *
9. Side cover *
10. Side cover *
11. Motion sensor
12. Mounting bracket (optional element)

* Casing components made of powder coated steel in RAL 9003 and RAL 9005 color configuration

4. TECHNICAL DATA SLIM N/W

STEP	SLIM N-100			SLIM N-150			SLIM N-200		
	III	II	I	III	II	I	III	II	I
Power supply [V/Hz]	1N ~ 230/50								
Power consumption [W]	140	100	80	200	120	95	230	150	110
Current consumption [A]	0,6	0,4	0,3	0,8	0,5	0,4	1,0	0,6	0,5
Air volume [m ³ /h]*	1400	1000	800	2300	1550	1300	3000	1900	1300
Air volume with filter (Coarse 30%) [m ³ /h]*	1000	900	750	1600	1350	1200	2200	1800	1250
Range [m]*	4,0	2,8	2,1	4,0	2,8	2,1	4,0	2,8	2,1
Acoustic pressure level [dB(A)]** - 3 m	58	50	44	57	46	42	57	42	35
Acoustic pressure level [dB(A)]** - 5 m	57	49	43	56	45	41	56	41	34
Acoustic power level [dB(A)]***	73	65	59	72	61	56	72	57	50
Weight [kg]	14,7			19,0			23,8		
IP	20								
Max. operating temperature [°C]	50								

STEP	SLIM W-100			SLIM W-150			SLIM W-200		
	III	II	I	III	II	I	III	II	I
Power supply [V/Hz]	1N ~ 230/50								
Power consumption [W]	115	90	75	165	110	90	230	150	115
Current consumption [A]	0,5	0,4	0,3	0,7	0,5	0,4	1,0	0,6	0,5
Air volume [m ³ /h]*	1100	900	750	1950	1450	1200	2850	1800	1400
Air volume with filter (Coarse 30%) [m ³ /h]*	750	650	600	1300	1100	1000	1900	1600	1350
Range [m]*	3,5	2,8	2,1	3,5	2,8	2,1	3,5	2,8	2,1
Acoustic pressure level [dB(A)]** - 3 m	56	51	46	57	49	45	59	46	38
Acoustic pressure level [dB(A)]** - 5 m	55	50	45	56	48	44	58	45	37
Acoustic power level [dB(A)]***	70	66	61	72	64	59	74	61	53
Weight [kg]	16,2			21,5			26,9		
Weight of unit filled with water [kg]	16,8			22,4			28,1		
IP	20								
Max. operating temperature [°C]	50								
Connection stub [“]	½ internal thread connection								
Max. Water pressure [MPa]	1,6								
Max. Water temperature [°C]	110								
Heating power [kW]****	1,2 – 12,1			2,6 – 21,0			3,7 – 29,3		
Temperature increase (ΔT)[°C]****	3,0 – 32,5			4,0 – 32,0			4,0 – 30,5		

* according to ISO 27327-1;

** Acoustic pressure level has been measured in a 1500m³ space with a medium sound absorption coefficient, directional factor: Q=2;

*** Acoustic power level according to ISO 27327-2;

**** Range of heating powers and temperatures specified for the parameters: III fan speed, heating medium temperature 40/30 °C inlet temperature 20 °C - III fan speed, heating medium temperature 110/90 °C at the device inlet 0 °C.

5. TECHNICAL DATA SLIM E

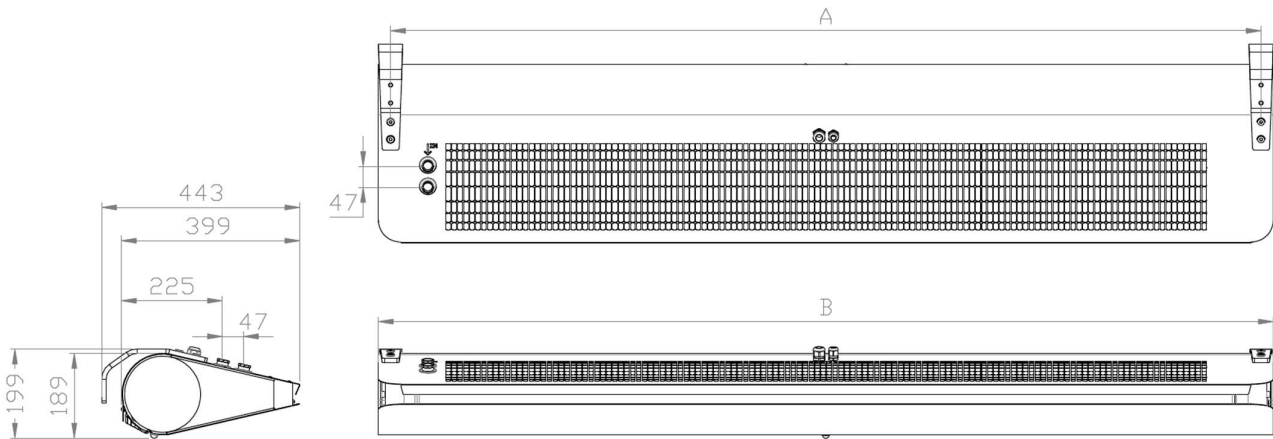
STEP	SLIM E-100			SLIM E-150			SLIM E-200		
	III	II	I	III	II	I	III	II	I
Power supply [V/Hz]	3N ~ 400/50 1N ~ 230/50								
Fan power consumption [W]	130	95	80	195	115	95	230	180	140
Fan current consumption [A]	0,5	0,4	0,3	0,8	0,5	0,4	1,0	0,8	0,6
Air volume [m ³ /h]*	1300	950	800	2200	1500	1250	3000	2500	1900
Range [m]*	3,5	2,8	2,1	3,5	2,8	2,1	3,5	2,8	2,1
Acoustic pressure level [dB(A)]** - 3 m	57	49	44	55	46	41	58	44	43
Acoustic pressure level [dB(A)]** - 5 m	56	48	43	54	45	40	57	43	42
Acoustic power level [dB(A)]***	72	64	59	70	61	56	73	67	60
Weight [kg]	15,1			19,6			24,6		
IP	20								
Max. operating temperature [°C]	30								
	3N ~ 400/50								
Heating elements power [kW]	5			9			12		
Heating elements current consumption [A]	8,5			13			17,3		
Temperature increase (ΔT) [°C]	11	16	19	12	18	21	12	14	19
	1N ~ 230/50								
Heating elements power [kW]	2			3			4		
Heating elements current consumption [A]	8,5			13			17,3		
Temperature increase (ΔT) [°C]	5	6	7	4	6	7	4	5	6

* according to ISO 27327-1;

** Acoustic pressure level has been measured in a 1500m³ space with a medium sound absorption coefficient, directional factor: Q=2;

*** Acoustic power level according to ISO 27327-2;

6. DIMENSIONS



	A [mm]	B [mm]
SLIM N/W/E-100	946	1000
SLIM N/W/E-150	1446	1500
SLIM N/W/E-200	1946	2000

7. INSTALLATION

Air curtains must be installed as close as possible to the door opening and cover:

- the entire width (applies to horizontal installation),
- full height (applies to vertical mounting).

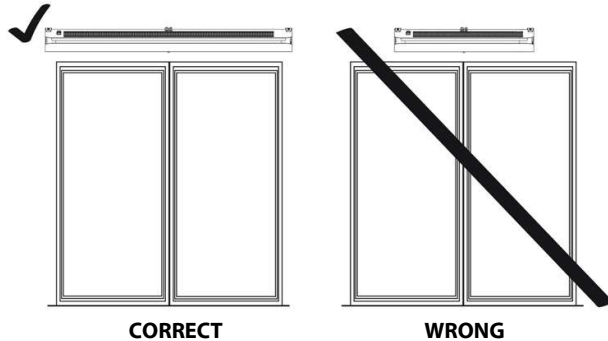


FIG. 7.1 PROPER HORIZONTAL INSTALLATION.

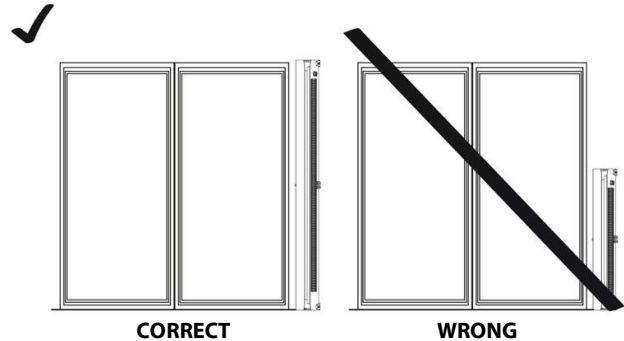


FIG. 7.2 PROPER VERTICAL INSTALLATION.

8. MOUNTING - RECOMMENDED DISTANCES

Slim curtains are designed for horizontal mounting using 2 dedicated brackets or 4 M8 threaded rods. It is also possible to install the curtain vertically using 2 brackets. During assembly, keep the minimum distances from the partitions as shown in the figure below. In addition, when installing the curtain, free access to the side of the device should be taken into account (required minimum 100 mm). The electric curtain (SLIM E) cannot be installed directly under the power socket. The device must be leveled before starting work.

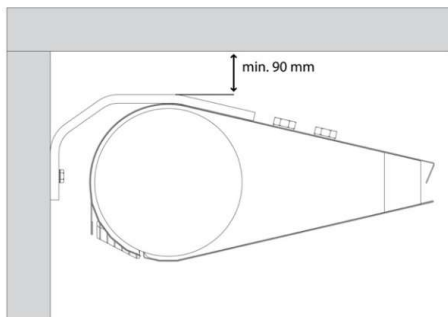


FIG. 8.1 HORIZONTAL INSTALLATION ON DEDICATED BRACKETS (M8).

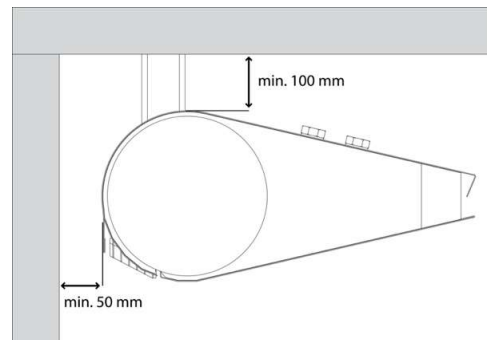
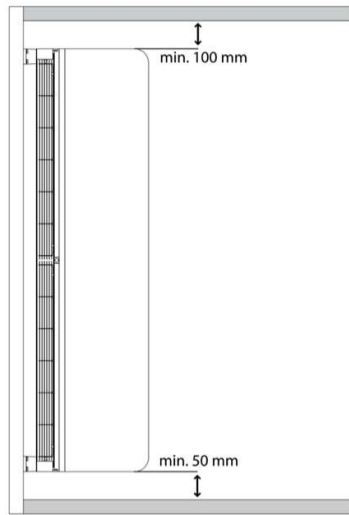
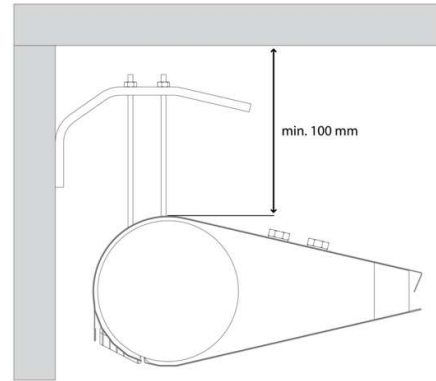


FIG. 8.2 HORIZONTAL INSTALLATION ON 4 THREADED PINS M8.



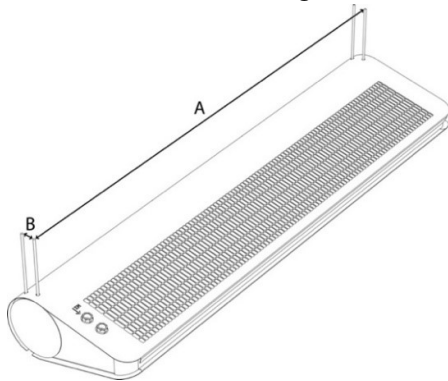
PIC. 8.3 VERTICAL MOUNTING WITH 2 PCS. DEDICATED BRACKETS.



PIC. 8.4 HORIZONTAL INSTALLATION ON 4 THREADED RODS M8 WITH 2 PCS. DEDICATED BRACKETS.

9. MOUNTING - CEILING MOUNTING INSTALLATION WITH THREADED RODS

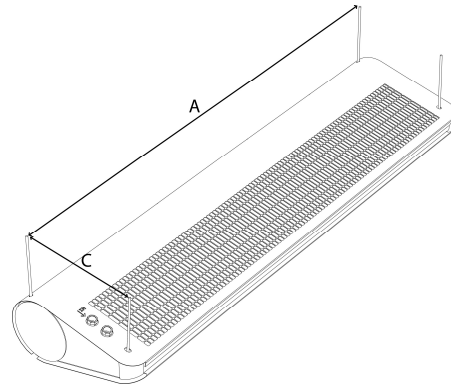
VARIANT I (max. threaded rods lengths 1 m)



SLIM	Threaded rods spacing AxB [mm]
N/W/E-100;	946x40
N/W/E-150;	1446x40
N/W/E-200;	1946x40

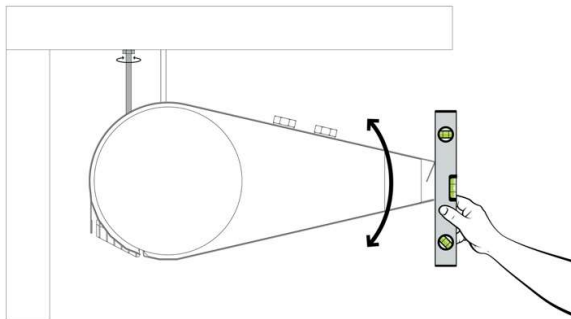
PIC. 9.1 THREADED RODS SPACING.


VARIANT II



SLIM	Threaded rods spacing AxC [mm]
N/W/E-100;	946x266
N/W/E-150;	1446x266
N/W/E-200;	1946x266

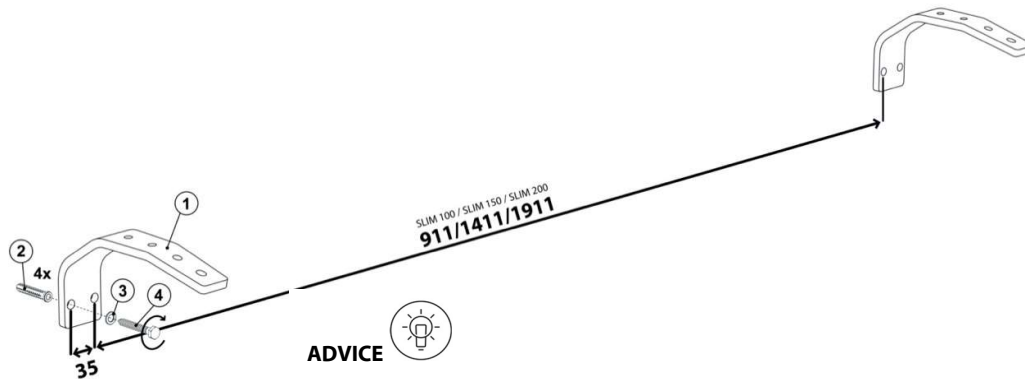
PIC. 9.2 THREADED RODS SPACING.



CAUTION  Counter the rear rods using lock nuts.

PIC. 9.3 DEVICE LEVELING AND COUNTERING WITH LOCK NUT.

10. MOUNTING WITH BRACKETS



ADVICE

The brackets ① should be mounted to the wall with:

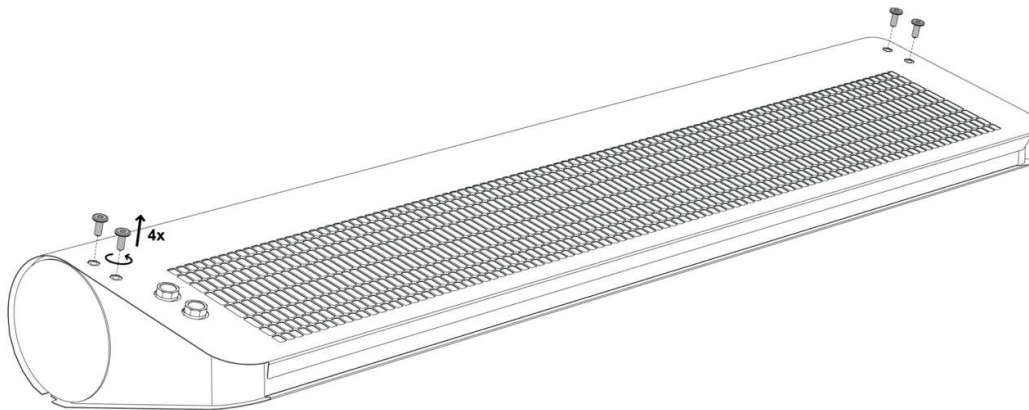
② Expansion fixings x 4 pcs * - properly selected for the type of partition

③ Washers x 4 pcs *

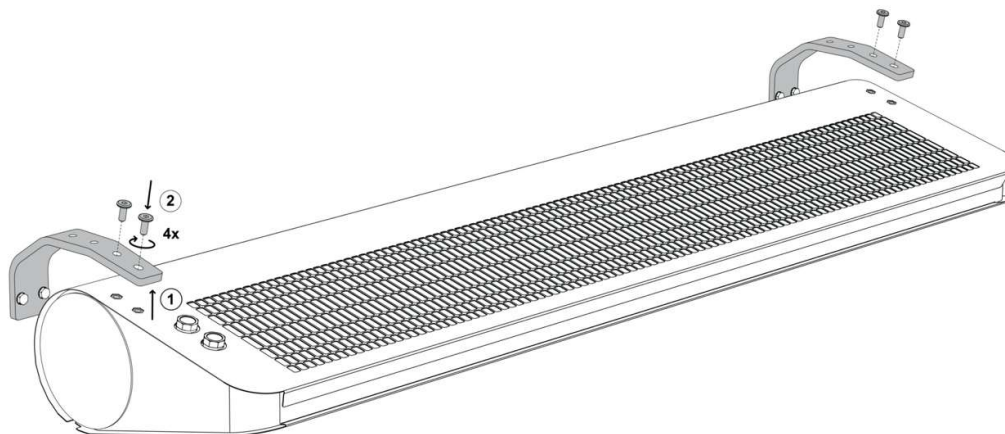
④ Anchor bolts x 4 pcs * - maximum size M10

* Not included

PIC 10.1. MOUNTING BRACKETS SPCING.

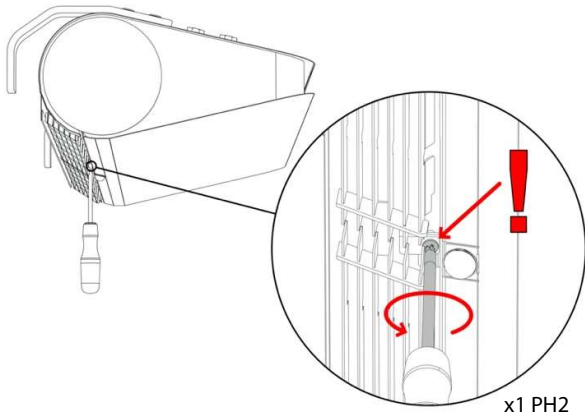


PIC 10.2. UNSCREW THE BOLTS.

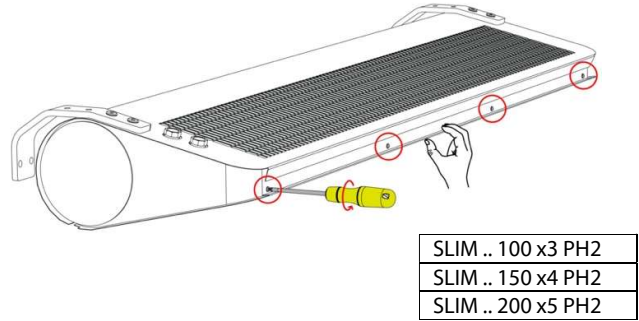


PIC. 10.3 MOUNTING THE UNIT WITH A BRACKET USING BOLTS.

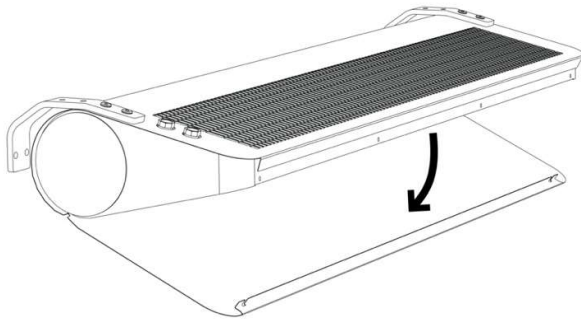
11. CONNECTION OF ELECTRICAL INSTALALTION



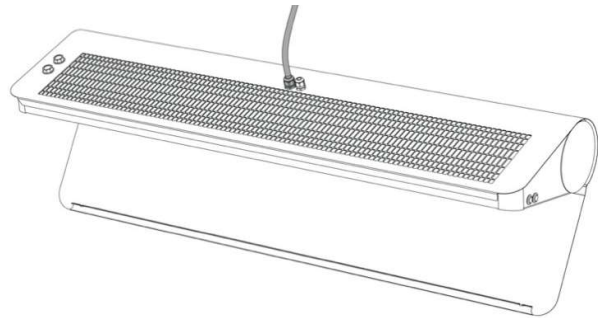
PIC. 11.1 REMOVE THE SCREW NEXT TO THE GRILLE.



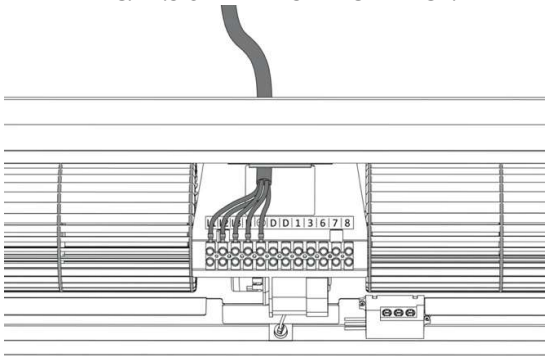
PIC. 11.2 REMOVE THE SCREWS FROM THE FRONT.



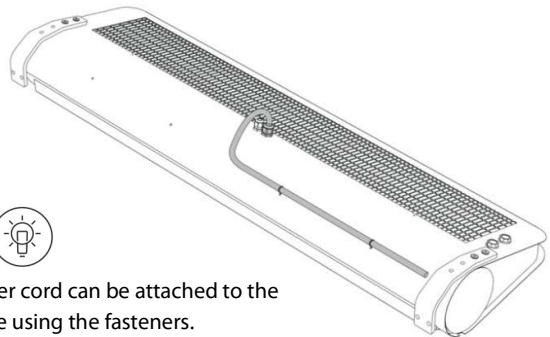
PIC. 11.3 OPEN THE SERVICE HATCH.



PIC. 11.4 PUT THE CABLE THROUGH THE GLAND.



PIC. 11.5 CONNECT THE CABLE.



ADVICE



The power cord can be attached to the enclosure using the fasteners.

PIC. 11.6 FASTEN THE CABLE TO THE DEVICE CASING.

WARNING



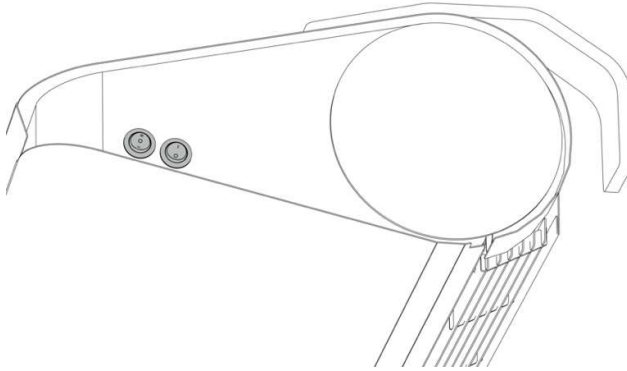
1. The power connection should be made in accordance with the technical documentation. The device installation should always be carried out in accordance with applicable local safety standards.
2. The cross-section and type of cable should be selected by the designer. (Always make sure that the disconnectors and protective switches are properly sized).
3. Make sure that the connection of power supply and controllers to the Slim curtain is made in accordance with the electrical specifications and the instructions included in the connection diagrams in the technical documentation.
4. Before connecting the power supply, check that the mains voltage corresponds to the voltage on the device's type plate.
5. Check the power connection before connecting the air curtain.
6. Starting the device without connecting the grounding wire is not allowed.
7. Protect the power cord against pulling out by clamping the PG16 or PG11 cable gland
8. Tighten all connection cables in the block properly
9. In the event of a hazard due to unintentional reset of the thermal switch, this curtain (SLIM E) should not be powered by an external connecting device such as a time switch, or connected to a circuit that is regularly switched off and switched on during use.
10. **Do not start the device with the service hatch open.**

12. BUILT-IN CONTROL

The curtain has a built-in automation system enabling automatic operation according to the signal from the motion sensor. The device has a fan step switch (1st step; OFF; 3rd step) and a ON-OFF switch for heating elements or valve opening. The switches are located on the right side of the device and require free access.

The device starts automatically when motion is detected in the sensor area and works according to settings selected on the switches.

FACTORY SETTINGS: C: 2000 lux; B: 10 s; A: 6 m; heating switch - lower position O; Fan speed selector - mid position O.



PIC. 12.1. FUNCTIONS OF BUTTONS/SWITCHES.



II – fan 3 step;
O – switching OFF the device, i.e. fan speed and heating;
I – 1 fan step.

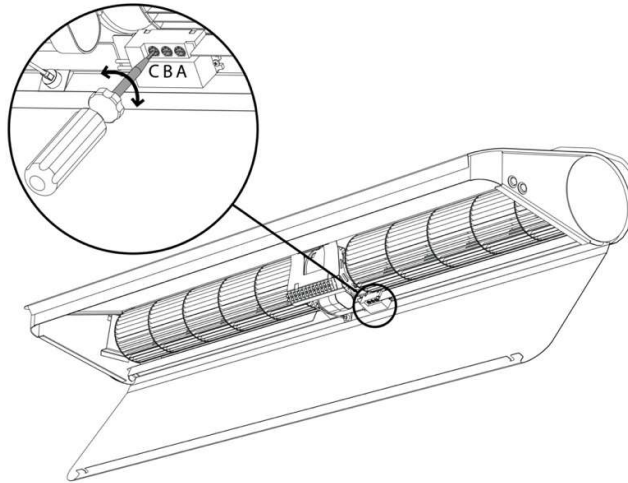


I – heating elements (SLIM E)/valve (SLIM W) included;
O – heating elements (SLIM E)/valve (SLIM W) switched off



ADVICE

activation of the heating signal is signaled by a red switch backlight



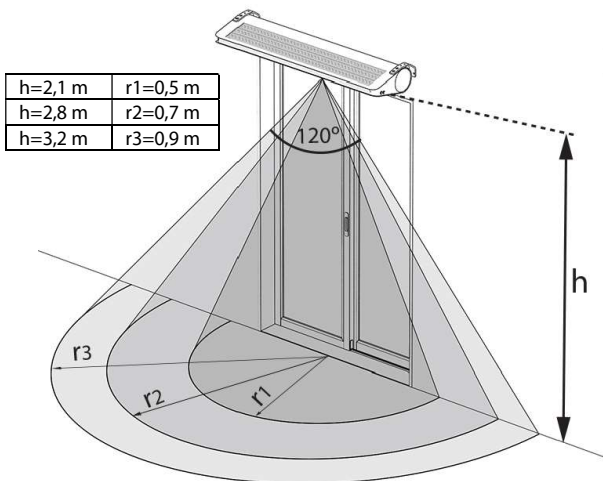
PIC. 12.2 ADJUSTMENT OF MOTION SENSOR PARAMETERS.

C - light sensitivity; range [10 lux ... 2000 lux];
B - switch off delay; range [10 s ... 420 s];
A - sensor range adjustment; range [2-6 m].

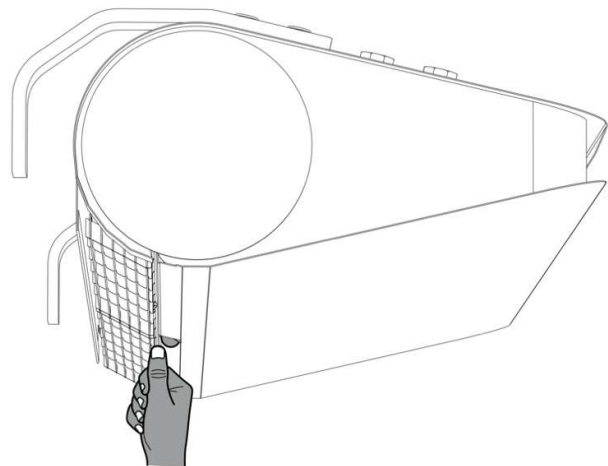


ADVICE

If the movement detection area is too large, the actuation area should be adjusted first (see PIC 12.3 and 12.4)

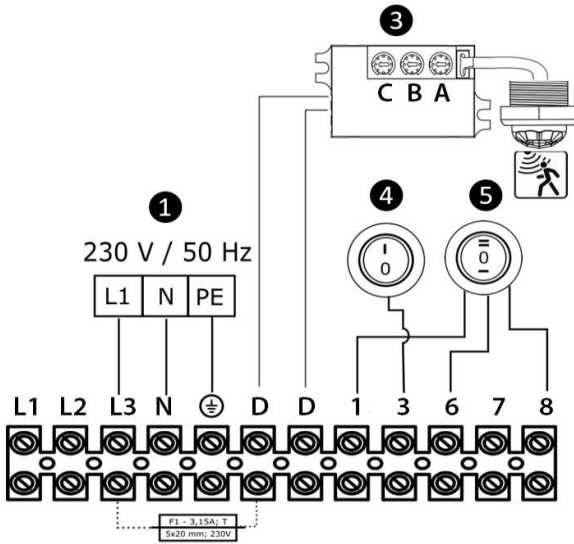


PIC. 12.3 AREA OF MOTION SENSOR OPERATION AT VARIOUS INSTALLATION HEIGHTS.

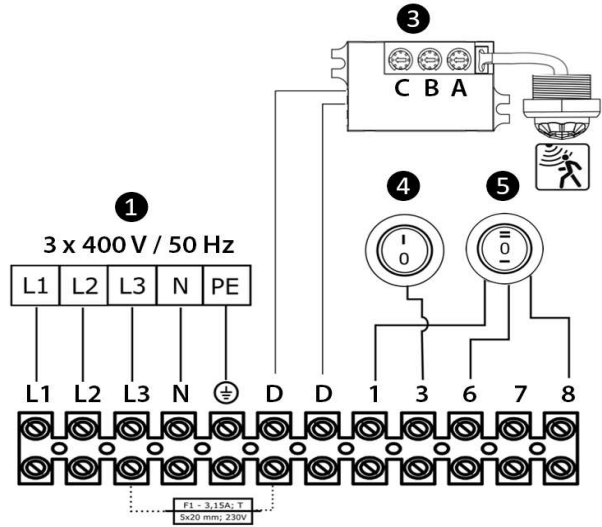


PIC. 12.4 ADJUSTMENT OF THE AREA OF MOTION SENSOR ACTIVITY.

13. BUILT-IN CONTROL – CONNECTION DIAGRAM SLIM E;



PIC. 13.1 POWER SUPPLY 1N ~ 230 V/50 Hz



PIC. 13.2 POWER SUPPLY 3N ~ 400 V/50 Hz

1 Power supply:

1N ~ 230V/50Hz:

- SLIM E-100 (min.3x1,5 mm²; Protection B10)
- SLIM E-150 (min.3x1,5 mm²; Protection B16)
- SLIM E-200 (min.3x2,5 mm²; Protection B20)

3N ~ 400V/50Hz:

- SLIM E-100 (min.5x2,5 mm²; Protection B16)
- SLIM E-150 (min.5x2,5 mm²; Protection B20)
- SLIM E-200 (min.5x4,0 mm²; Protection B25)

ADVICE



- The maximum outer diameter of the cable sleeve is 14.0 mm;
- The minimum outer diameter of cable sleeve is 4.0 mm;
- Maximum wire diameter 4,0 mm².

3 Motion sensor: to omit/bypass the motion sensor; disconnect and insulate / secure wires from connectors D; D – a cable jumper (min. 1x1,0 mm²) or a door sensor (min. 2x1,0 mm²) should be connected in this place;

4 Heating switch (I – heating elements ON, O – heating elements OFF);

5 Fan step switch (I – 1st fan step, O – device OFF, II – 3rd fan step).

ADVICE



- 1) To connect the 2nd fan step, connect the cable from the 6th connector to the 7th connector. In this case, the I position on the switch will mean SWITCHING ON the 2nd fan step.
- 2) Each time the curtain is turned on by a motion sensor, it operates for a set time (10 s by default), unless motion is detected in the area covered by the sensor.
- 3) The device starts automatically when motion is detected in the sensor area and works according to settings selected on the switches.

WARNING



In the event of a hazard arising from the unintentional reset of the thermal switch, this equipment should not be powered by an external connecting device, such as a time switch, or a disconnector connected to the circuit, which is regularly switched OFF and ON during use.

14. BUILT-IN CONTROL – CONNECTION DIAGRAM SLIM W; SLIM N;

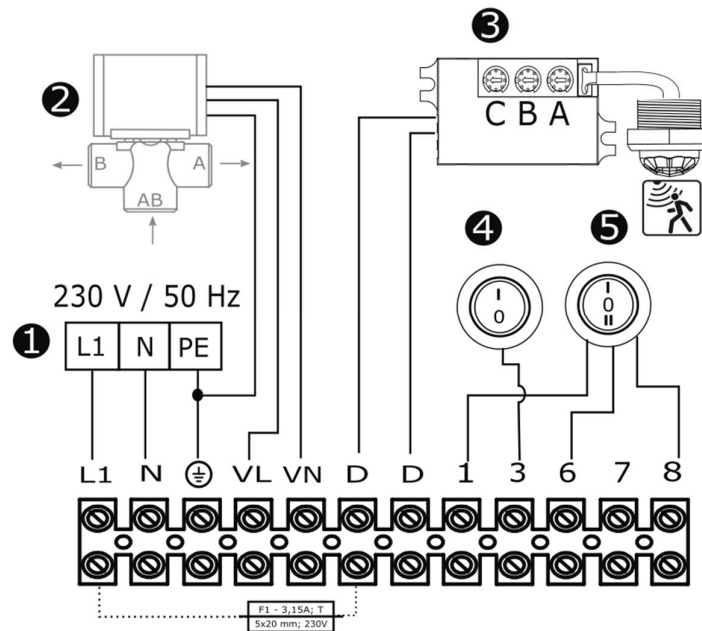


FIG. 14.1 POWER SUPPLY 1N ~ 230 V/50 Hz

- ① Power supply: 1N~230 V/50 Hz (min.3x1,5mm²; Protection B4)
- ② SRQ3d ½"; SRQ2d ½" valve with actuator (min. 3x0,75mm²)



ADVICE

- The maximum outer diameter of the cable sleeve is 14.0 mm;
- The minimum outer diameter of cable sleeve is 4.0 mm;
- Maximum wire diameter 4,0 mm².

- ③ Motion sensor; to omit/bypass the motion sensor; disconnect and insulate / secure wires from connectors D; D, a cable jumper (min. 1x1,0 mm²) or a door sensor (min. 2x1,0 mm²) should be connected in this place;
- ④ Heating switch (SLIM W) (I – valve open , O – valve closed); Valve – an optional accessory;
- ⑤ Fan step switch (SLIM W/N) (I – 1st fan step, O – device OFF, II – 3rd fan step).

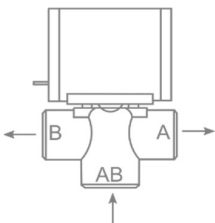


ADVICE

- 1) To connect the 2nd fan step, connect the cable from the 6th connector to the 7th connector. In this case, the I position on the switch will mean SWITCHING ON the 2nd fan step.
- 2) Each time the curtain is turned on by a motion sensor, it operates for a set time (10 s by default), unless motion is detected in the area covered by the sensor.
- 3) The device starts automatically when motion is detected in the sensor area and works according to settings selected on the switches.

VALVE PARAMETERS SRQ:

- SRQ3d ½" – Three-way valve ½" with actuator
- SRQ2d ½" – Two-way valve ½" with actuator



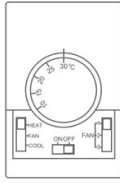
Class of protection: IP20
 Supply voltage: 230/50 Hz
 Max. heating medium temperature: + 93°C
 Max. operating pressure: 2.1Mpa
 SRQ2d ½" Kvs: 3,0 m³/h
 SRQ3d ½" Kvs: 3,4 m³/h
 Motor running time: 18 s

A – Return pipe water supply
 AB – Valve water supply
 B – Exchanger water supply

15. CONTROLS - OPTIONAL ELEMENTS

TS

3-step regulator with built-in thermostat



Temperature setting range: +10 ... +30°C
 Operating temperature range: 0 ... +40°C
 Protection degree: IP30
 Contact load: inductive: 5 A
 Supply voltage: 230 V/50 Hz

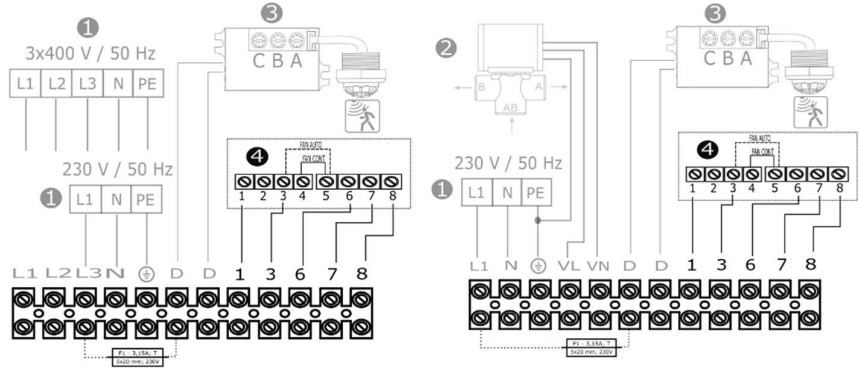
FAN AUTO - fan operation depends on the temperature.

FAN CONT - continuous fan operation

HEAT - heating function

FAN - deactivate the thermostat for FAN CONT

COOL - reversal of the operation logic of the thermostat



15.1. SLIM E + TS.

15.2. SLIM W/N + TS.

- ① ② ③ The connection diagram for the remaining elements, along with a description of the cables and protections, can be found in sections 12 and 13.
 ④ TS 3-step fan speed controller with thermostat TS (min. 5x1,0 mm²).

ADVICE

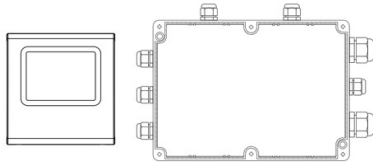
The curtain is activated automatically when motion is detected in the sensor area and works with the settings selected on the TS controller. In order to work only with the TS controller, a cable jumper should be made between the connectors: D D; - see ③ Chapters 13 and 14

WARNING

When connecting the TS controller to the air curtain, disconnect and isolate the wires from air curtain connectors 1; 3; 6; 8. In this case, the built-in switches are disconnected and not active.

T-box + DRV Slim (BMS possibility)

T-box + DRV Slim - touch screen controller + control system



T-box:

Temperature setting range: +5 ... +35°C
 Operating temperature range: -10 ... +60°C
 Protection degree: IP30
 Supply voltage: 24 VDC

DRV Slim:

Operating temperature range: -10 ... +60°C
 Protection degree: IP54
 Supply voltage: 230 V / 50 Hz

CONNECTION DIAGRAM IS IN DRV SLIM DOCUMENTATION

ADVICE

When cooperating with DRV Slim with a built-in motion sensor, the **AS** curtain version should be used: **SLIM N/W/E-100/150/200 /AS**

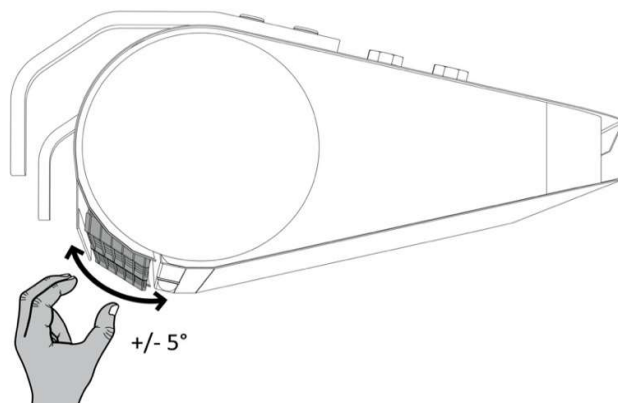
Connection diagram is in the DRV Slim documentation.

WARNING

When connecting the DRV Slim controller to the standard air curtain (without AS version), disconnect and isolate the wires from air curtain connectors 1; 3; 6; 8. In this case, the built-in switches are disconnected and not active.

Wires from connectors: D; D; should be disconnected and insulated only when the standard Slim curtain (without AS version) cooperates with DRV Slim. In this case, the curtain works according to the logic contained in DRV Slim.

16. ADJUSTMENT OF OUTLET GRILLE



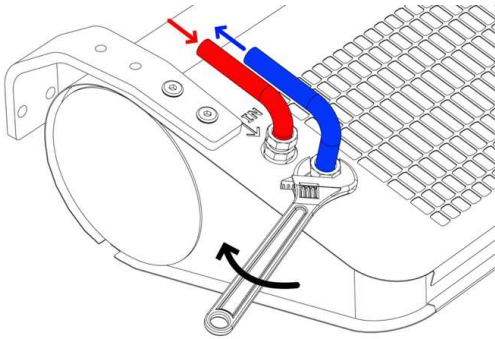
PIC. 16.1 MANUAL ADJUSTMENT OF OUTLET GRILLE.

The device is equipped with two independently adjustable outlet grilles. The angle should be set manually within +/- 5°. The airflow from the outlet grille should be directed as close as possible to the plane of the door opening (taking into account the conditions prevailing at the door opening).

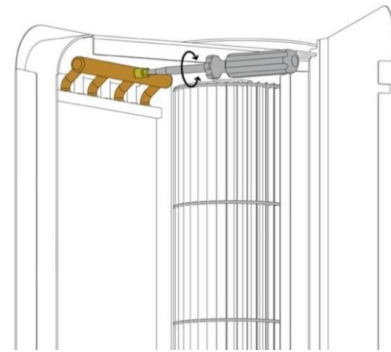
ADVICE

In order to increase the effectiveness of the air barrier during windy conditions, the curtain's air stream should be directed outside the door to create a more efficient air barrier to external factors.

17. CONNECTION OF HYDRAULIC INSTALLATION



PIC. 17.1 CONNECTION OF THE HEATING MEDIUM.



PIC. 17.2 BLEEDING/ AIR RELEASE VALVE.



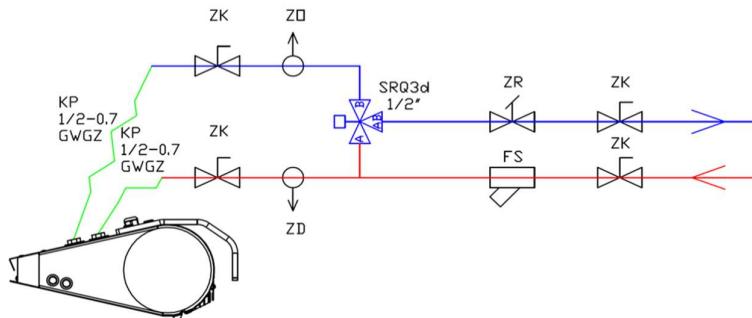
WARNING

1. Disconnect the curtain power supply before connecting the water system.
2. The connection should be made without stress. It is recommended to use flexible ducts supplying the heating medium.
3. Water supply should be connected to the connector marked with the symbol ↓ IN.
4. The installation with the heating medium must be protected against the increase of the heating medium pressure above the permissible value (1.6 MPa).
5. Before starting the device, check the correct connection of the heating medium and the system for leaks.
6. During assembly of the installation it is absolutely necessary to immobilize the exchanger's connector pipes (counter)
7. After filling the system with heating medium, check the tightness of the hydraulic connections, including the built-in vent.



ADVICE

1. It is recommended to use bleeding/air release valves at the highest point of the installation. When installing the device vertically, bleeding should be done using the built-in valve (Fig. 17.2), while protecting the remaining elements of the device against water damage/flooding.
2. In the event that the water from the device is drained for a longer period of time, the exchanger tubes should be blown and dried with compressed air.
3. Installation should be carried out in such a way that in the event of a failure it is possible to dismantle the device (use of flexible hoses is recommended). For this purpose, use shut-off valves next to the device (Fig. 17.3).



ZK - ball valve
 ZO - bleeding valve
 ZR - balancing valve
 ZD - drainage valve
 FS - mesh filter
 KP - flexible hoses

PIC. 17.3 CONNECTION EXAMPLE OF HYDRAULIC COMPONENTS.

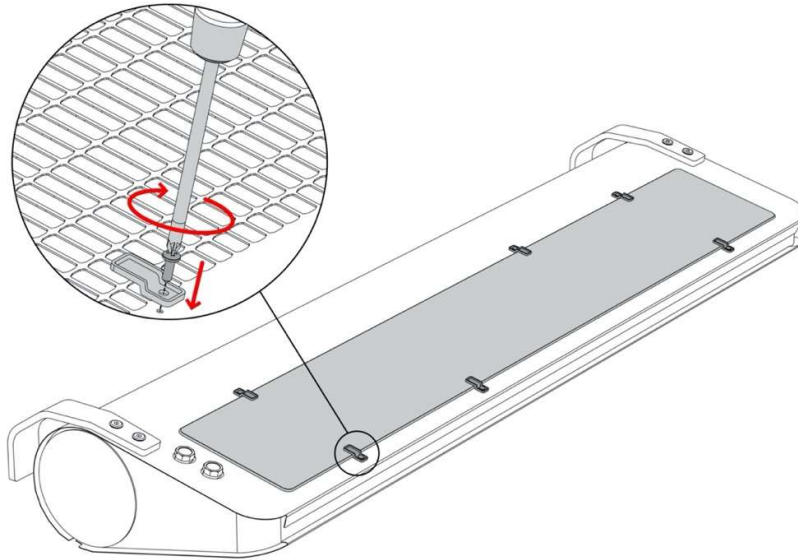
18. PARAMETERS OF THE HEATING MEDIUM

The water heat exchanger can be supplied with water or glycol solutions up to 60%. The heat exchanger tubes are made of copper. The heating medium should not cause corrosion of this material. In particular, the parameters as below should be provided.

Parameter	Value
pH	7,5-9,0
Pollution	Free of sediments/particles
Total hardness	[Ca ²⁺ ,Mg ²⁺]/ [HCO ₃ ⁻] > 0.5
Oil and grease	<1 mg/l
Oxygen	<0.1mg/l
HCO ³	60-300 mg/l
Ammonia	< 1.0 mg/l
Sulphides	< 0.05 mg/l
Chlorides, Cl	<100 mg/l

19. FILTER INSTALLATION

SLIM curtains in N and W versions are ready to operate with an external COARSE 30% filter mounted on the upper surface of the device. The filter should be replaced periodically, depending on the degree of dirtiness. When replacing the filter, loosen the mounting brackets and then rotate them.



PIC. 19.1 MOUNTING AND EXCHANGING THE AIR FILTER.

20. OPERATON

WARNING



1. The device must be periodically checked. These activities should be performed ONLY by qualified personnel. If the device malfunctions, turn it OFF immediately and contact FLOWAIR SERVICE SUPPORT.
2. Do not attempt to repair, move, modify, or reinstall the device yourself. Performing these activities by unauthorized personnel may result in electric shock or fire.
3. Do not use a damaged device. The manufacturer is not responsible for damages resulting from the use of a damaged device.
4. The device is intended for indoor use at temperatures above 0°C. At temperatures below 0°C there is a risk of freezing of the medium.

The manufacturer is not responsible for damage to the heat exchanger resulting from the freezing of the medium in the exchanger.

ADVICE



1. The heating elements are equipped with thermal protections, which in case of too high temperature in their surroundings will disconnect the heating. The heating can be switched on again after the temperature has dropped and:
 - a) manual reset is performed by switching OFF and ON the heating with built-in button/switch or external controller.
 - b) automatic reset: when motion is detected within the sensor range or when changing fan step to maximum.
2. If the heating disconnects repeatedly, contact a qualified service center.
3. In the case of water supplied air curtains, when the water from the device is drained for a longer period of time, the exchanger tubes should be blown with compressed air.

21. CLEANING AND MAINTENANCE

Periodically check (at least twice a year) the dirtiness level of the heat exchanger (SLIM W), electric heaters (SLIM E). Clogging a part of the air intake causes a decrease in the heating power of the device and adversely affects the operation of the fan, and in the case of electric heaters it can cause permanent loss of rated parameters.

ADVICE



Cleaning the exchanger should be carried out in accordance with the following guidelines:

- The power supply must be disconnected during cleaning.
- Open the service flap.
- When cleaning the exchanger, be careful not to bend the aluminum fins.
- It is not recommended to use sharp objects for cleaning, due to the possibility of damage to the lamellas.
- Cleaning with compressed air is recommended.
- The exchanger cannot be cleaned with water!
- Cleaning should be carried out along the slats, with the blowing nozzle perpendicular to exchanger.

22. COMPLIANCE WITH 2009/125/EC

	SLIM 100	SLIM 150	SLIM 200
1.	Not applicable, power at the optimum energy efficiency point <0.125 kW	17,2	17,1
2.		B	B
3.		Total	
4.		21	21
5.		VSD - No	
6.		2020	2020
7.		FLOWAIR Sp. z O.O., 0000998741, Poland	
8.			
9.		0,139 kW, 1242 m ³ /h, 58 Pa	0,197 kW, 2167 m ³ /h, 56 Pa
10.		1288 RPM	1298 RPM
11.		1,0	1,0
12.		Disassembly of the device should be performed by qualified personnel familiar with this device's documentation. To dispose of the device, please read the chapter: COMPLIANCE WITH WEEE DIRECTIVE 2012/19/UE	
13.		The service life of the device depends on compliance with the guidelines contained in this documentation, particularly those designated as CAUTION and WARNING	
14.		Device Casing	

23. CONFORMITY WITH WEEE DIRECTIVE 2012/19/UE

Running a business without harming the environment and observing the rules of proper handling of waste electrical and electronic equipment is a priority for FLOWAIR.

The symbol of the crossed out wheeled bin placed on the equipment, packaging or documents attached means that the product must not be disposed of with other wastes. It is the responsibility of the user to hand the used equipment to a designated collection point for proper processing. The symbol means that the equipment was placed on the market after August 13, 2005.



For information regarding recycling of waste electrical and electronic equipment, please contact your local distributor.

REMEMBER:

Do not dispose of used equipment together with other waste! There are financial penalties for this. Proper handling of used equipment prevents potential negative consequences for the environment and human health. At the same time, we save the Earth's natural resources, reusing resources obtained from the processing of equipment.

24. WARRANTY

Please contact your dealer in order to get acquitted with the warranty terms and its limitation.

In the case of any irregularities in the device operation, please contact the manufacturer's service department.

The manufacturer bears no responsibility for operating the device in a manner inconsistent with its purpose, by persons not authorised for this, and for damage resulting from this!

Made in Poland

Made in EU

Manufacturer: FLOWAIR SP. Z O.O.

Chwaszczyńska 135, 81-571 Gdynia

e-mail: info@flowair.pl

www.flowair.com

1. WAŻNE INFORMACJE

Dołożyliśmy wszelkich starań, aby niniejsza instrukcja była jak najłatwiejsza do zrozumienia. Jeśli jednak masz jakieś trudności, problemy lub pytania, skontaktuj się ze wsparciem FLOWAIR pod adresem: info@flowair.pl

Odwiedź także naszą stronę internetową www.flowair.pl na której znajdziesz pełne wskazówki montażowe.

W niniejszej instrukcji znajdziesz ważne wskazówki oznaczone jak poniżej:

OSTRZEŻENIE



Niebezpieczne praktyki, których zaistnienie może skutkować poważnym urazem lub śmiercią. Przed przystąpieniem do pracy należy zapoznać się ze wszystkimi ostrzeżeniami.

PRZESTROGA



Niebezpieczne praktyki, których zaistnienie może skutkować uszkodzeniem dóbr lub nieznacznymi obrażeniami ciała. Przed przystąpieniem do pracy należy zapoznać się ze wszystkimi przestroгами.

PORADA



Przydatne wskazówki dla użytkownika i instalatora.

WAŻNE INFORMACJE DOTYCZĄCE BEZPIECZEŃSTWA:

PORADA



1. Przed montażem, podłączeniem, uruchomieniem, użytkowaniem i konserwacją urządzenia należy zapoznać się w całości z niniejszą instrukcją.
2. Po odebraniu produktu należy sprawdzić, czy nie uległ on uszkodzeniu podczas transportu. Jeżeli produkt wydaje się być uszkodzony, NIE NALEŻY ROZPOCZYNAĆ INSTALACJI; zamiast tego należy natychmiast zgłosić uszkodzenie przewoźnikowi.
3. Urządzenie musi być zamontowane w sposób stabilny, trwały i zgodny z instrukcją, w miejscu, do którego można uzyskać łatwy dostęp, zapewniając w ten sposób możliwość przeprowadzania napraw i rutynowych czynności konserwujących, a także umożliwiając łatwy i bezpieczny demontaż urządzenia.
4. Stabilność i trwałość montażu urządzenia jest zależna od konstrukcji budynku (w szczególności ścian i stropów). Wykonujący montaż należy uwzględnić te uwarunkowania podczas montażu urządzenia.
5. Dokumentację techniczną należy przechowywać w bezpiecznym miejscu, łatwo dostępnym dla użytkownika i serwisanta.
6. Tabliczka znamionowa znajduje przy dławnicach kablowych się na górnej części urządzenia.
7. Po zakończeniu instalacji należy zawsze przetestować działanie urządzenia.

PRZESTROGA



1. Podłączenie zasilania powinna wykonać wyłącznie odpowiednio uprawniona osoba.
2. Urządzenie może uruchomić się w sposób automatyczny (po wykryciu ruchu w obszarze czujnika).
3. Urządzenie nie jest wyposażone w termostat kontrolujący temperaturę w pomieszczeniu. Nie używaj urządzenia w małych pomieszczeniach, w których znajdują się osoby nie będące zdolne samodzielnie ich opuścić. Nie dotyczy pomieszczeń z zapewnionym stałym nadzorem.
4. Urządzenie wymaga okresowych przeglądów, zgodnie z zapisami w niniejszej instrukcji.
5. Nie wolno zawieszać się na urządzeniu.
6. Nie wolno umieszczać na urządzeniu, ani zawieszać na króćcach przyłączeniowych żadnych przedmiotów.
7. Produkt należy przechowywać i montować w miejscach niedostępnych dla małych dzieci.
8. Urządzenie dedykowane jest do pracy wewnątrz pomieszczeń o maksymalnym zapyleniu powietrza 0,3 g/m³. Urządzenie posiada elementy wykonane z aluminium, miedzi oraz stali ocynkowanej i nie może być stosowane w środowisku mogąącym powodować ich korozję.
9. Urządzenia nie mogą być stosowane w środowisku, gdzie występuje mgła olejowa.
10. Niniejszy sprzęt może być użytkowany przez dzieci w wieku co najmniej 8 lat i przez osoby o obniżonych możliwościach fizycznych, umysłowych i osoby o braku doświadczenia i znajomości sprzętu, jeżeli zapewniony zostanie nadzór lub instruktaż odnośnie do użytkowania sprzętu w bezpieczny sposób, tak aby związane z tym zagrożenia były zrozumiałe. Urządzenie nie może być używane przez dzieci do zabawy. Dzieci bez nadzoru nie powinny wykonywać czyszczenia i konserwacji sprzętu.
11. Urządzenie w wersji elektrycznej (SLIM E) przy pierwszym uruchomieniu lub uruchomieniu po długim przestoju może wydzielać charakterystyczny zapach wypalenia kurzu.

OSTRZEŻENIE



1. Urządzenie jest zasilane napięciem elektrycznym niebezpiecznym dla człowieka. Należy zawsze odłączyć urządzenie od zasilania przed rozpoczęciem czynności serwisowych lub uzyskaniem dostępu do jego podzespołów wewnętrznych.
2. Nie należy wkładać palców ani żadnych przedmiotów do wnętrza urządzenia.
3. Nie wolno przykrywać urządzenia.

2. INFORMACJE OGÓLNE

Kurtyna powietrzna Slim jest wysokiej jakości urządzeniem, które poprzez nadmuch powietrza ogranicza straty związane z wymianą ciepła. Urządzenie dedykowane jest **WYŁĄCZNIE** do pracy wewnątrz pomieszczeń. Kurtyna Slim przeznaczona jest do montażu poziomego nad otworem drzwiowym lub pionowego przy otworze drzwiowym o maks. wysokości 4,0 m.

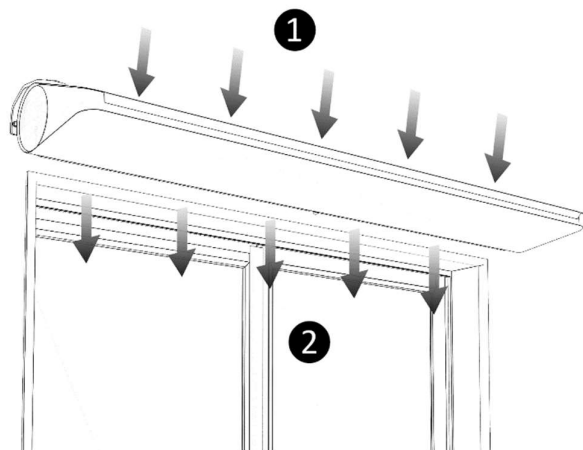
Kurtyna występuje w wersji zimnej (bez podgrzewu), z grzałkami elektrycznymi lub z wymiennikiem wodnym:

SLIM E-100; SLIM E-150; SLIM E-200 - kurtyny z grzałkami elektrycznymi o maks. zasięgu 3,5 m*;

SLIM W-100; SLIM W-150; SLIM W-200 - kurtyny z wodnym wymiennikiem ciepła o maks. zasięgu 3,5 m*;

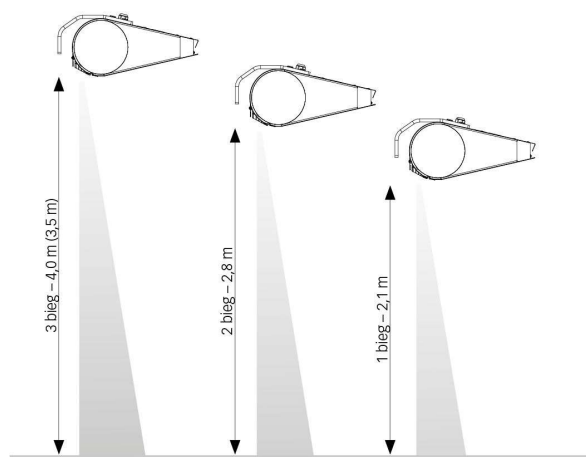
SLIM N-100; SLIM N-150; SLIM N-200 - kurtyny bez wymiennika wodnego maks. zasięgu strumienia 4,0 m*.

*zgodnie z ISO 27327-1



1 wlot 2 wylot

RYŚ. 2.1 KIERUNEK PRZEPŁYWU POWIETRZA.



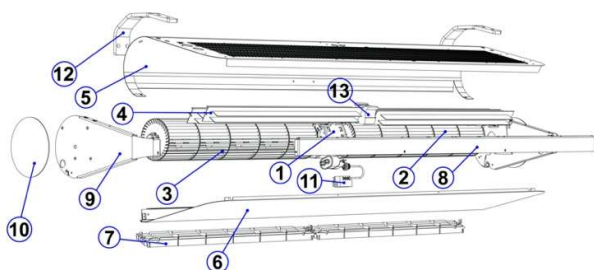
RYŚ. 2.2 ZASIĘG POWIETRZA NA POSZCZEGÓLNYCH BIEGACH.



PORADA

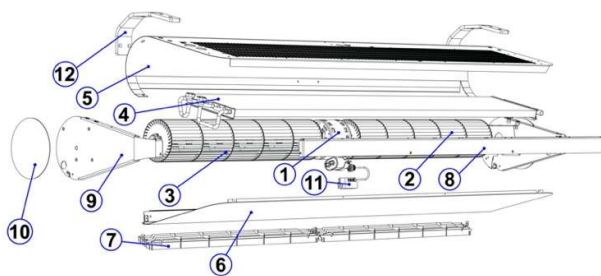
1. Dla obiektów użyteczności publicznej zalecane jest zastosowanie kurtyny z podgrzewem (W lub E).
2. Podciśnienie w budynku znacznie obniża sprawność bariery powietrznej, należy zrównoważyć bilans wentylacyjny.
3. Przy prędkości napływającego do budynku wiatru powyżej 3 m/s, należy zastosować wersję z podgrzewem w celu zwiększenia komfortu użytkowników.

3. BUDOWA



RYŚ. 3.1 BUDOWA SLIM E.

1. Silnik
2. Wirnik prawy
3. Wirnik lewy
4. Grzałka elektryczna
5. Pokrywa górna*
6. Pokrywa dolna*
7. Kratka wylotowa
8. Listwa frontowa*
9. Pokrywa boczna*
10. Maskownica boczna*
11. Czujnik ruchu
12. Wspornik montażowy (element opcjonalny)
13. Stycznik



RYŚ. 3.2 BUDOWA SLIM N/W.

1. Silnik
2. Wirnik prawy
3. Wirnik lewy
4. Wymiennik wodny (dotyczy tylko wersji SLIM W)
5. Pokrywa górna*
6. Pokrywa dolna*
7. Kratka wylotowa
8. Listwa frontowa*
9. Pokrywa boczna*
10. Maskownica boczna*
11. Czujnik ruchu
12. Wspornik montażowy (element opcjonalny)

* Elementy obudowy wykonane ze stali malowanej proszkowo w konfiguracji kolorów RAL 9003 i RAL 9005

4. DANE TECHNICZNE SLIM N/W

BIEG	SLIM N-100			SLIM N-150			SLIM N-200		
	III	II	I	III	II	I	III	II	I
Napięcie znamionowe [V/Hz]	1N ~ 230/50								
Znamionowy pobór mocy [W]	140	100	80	200	120	95	230	150	110
Znamionowy pobór prądu [A]	0,6	0,4	0,3	0,8	0,5	0,4	1,0	0,6	0,5
Wydajność [m ³ /h]*	1400	1000	800	2300	1550	1300	3000	1900	1300
Wydajność z filtrem (Coarse 30%) [m ³ /h]*	1000	900	750	1600	1350	1200	2200	1800	1250
Zasięg [m]*	4,0	2,8	2,1	4,0	2,8	2,1	4,0	2,8	2,1
Poziom ciśnienia akustycznego [dB(A)]** - 3 m	58	50	44	57	46	42	57	42	35
Poziom ciśnienia akustycznego [dB(A)]** - 5 m	57	49	43	56	45	41	56	41	34
Poziom mocy akustycznej [dB(A)]***	73	65	59	72	61	56	72	57	50
Masa [kg]	14,7			19,0			23,8		
IP	20								
Max. temperatura pracy[°C]	50								

BIEG	SLIM W-100			SLIM W-150			SLIM W-200		
	III	II	I	III	II	I	III	II	I
Napięcie znamionowe [V/Hz]	1N ~ 230/50								
Znamionowy pobór mocy [W]	115	90	75	165	110	90	230	150	115
Znamionowy pobór prądu [A]	0,5	0,4	0,3	0,7	0,5	0,4	1,0	0,6	0,5
Wydajność [m ³ /h]*	1100	900	750	1950	1450	1200	2850	1800	1400
Wydajność z filtrem (Coarse 30%) [m ³ /h]*	750	650	600	1300	1100	1000	1900	1600	1350
Zasięg [m]*	3,5	2,8	2,1	3,5	2,8	2,1	3,5	2,8	2,1
Poziom ciśnienia akustycznego [dB(A)]** - 3 m	56	51	46	57	49	45	59	46	38
Poziom ciśnienia akustycznego [dB(A)]** - 5 m	55	50	45	56	48	44	58	45	37
Poziom mocy akustycznej [dB(A)]***	70	66	61	72	64	59	74	61	53
Masa [kg]	16,2			21,5			26,9		
Masa urządzenia napełnionego wodą [kg]	16,8			22,4			28,1		
IP	20								
Max. temperatura pracy[°C]	50								
Przyłącze ["]	½ gwint wewnętrzny								
Maksymalne ciśnienie robocze [MPa]	1,6								
Maksymalna temperatura czynnika grzewczego [°C]	110								
Moc grzewcza [kW]****	1,2 – 12,1			2,6 – 21,0			3,7 – 29,3		
Przyrost temp. powietrza (ΔT)[°C]****	3,0 – 32,5			4,0 – 32,0			4,0 – 30,5		

* Zgodnie z ISO 27327-1;

** Poziom ciśnienia akustycznego podano dla pomieszczenia o średniej zdolności pochłaniania dźwięku, objętości 1500 m³, współczynnik kierunkowy Q=2;

*** Zgodnie z ISO 27327-2;

**** Zakres mocy i temperatur określony dla parametrów: III bieg wentylatora, temp. czynnika grzewczego 40/30°C temp. na wlocie do urządzenia 20°C – III bieg wentylatora, temp. czynnika grzewczego 110/90°C temp. na wlocie do urządzenia 0°C.

5. DANE TECHNICZNE SLIM E

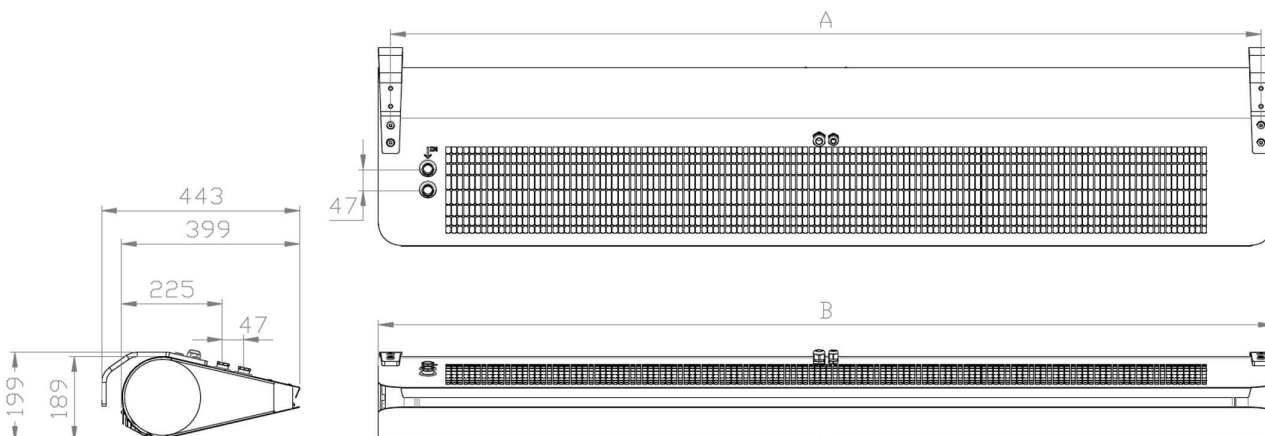
BIEG	SLIM E-100			SLIM E-150			SLIM E-200		
	III	II	I	III	II	I	III	II	I
Napięcie znamionowe [V/Hz]	3N ~ 400/50 1N ~ 230/50								
Znamionowy pobór mocy wentylatora [W]	130	95	80	195	115	95	230	180	140
Znamionowy pobór prądu wentylatora [A]	0,5	0,4	0,3	0,8	0,5	0,4	1,0	0,8	0,6
Wydajność [m ³ /h]*	1300	950	800	2200	1500	1250	3000	2500	1900
Zasięg [m]*	3,5	2,8	2,1	3,5	2,8	2,1	3,5	2,8	2,1
Poziom ciśnienia akustycznego [dB(A)]** - 3 m	57	49	44	55	46	41	58	44	43
Poziom ciśnienia akustycznego [dB(A)]** - 5 m	56	48	43	54	45	40	57	43	42
Poziom mocy akustycznej [dB(A)]***	72	64	59	70	61	56	73	67	60
Masa [kg]	15,1			19,6			24,6		
IP	20								
Max. temperatura pracy [°C]	30								
	3N ~ 400/50								
Znamionowy pobór mocy [kW]	5			9			12		
Znamionowy pobór prądu [A]	8,5			13			17,3		
Przyrost temp. powietrza (ΔT)[°C]	11	16	19	12	18	21	12	14	19
	1N ~ 230/50								
Znamionowy pobór mocy [kW]	2			3			4		
Znamionowy pobór prądu [A]	8,5			13			17,3		
Przyrost temp. powietrza (ΔT)[°C]	5	6	7	4	6	7	4	5	6

* Zgodnie z ISO 27327-1;

** Poziom ciśnienia akustycznego podano dla pomieszczenia o średniej zdolności pochłaniania dźwięku, objętości 1500 m³; współczynnik kierunkowy Q=2;

*** Zgodnie z ISO 27327-2.

6. WYMIARY

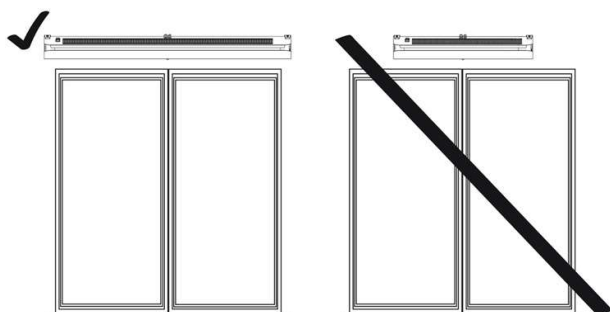


	A [mm]	B [mm]
SLIM N/W/E-100	946	1000
SLIM N/W/E-150	1446	1500
SLIM N/W/E-200	1946	2000

7. MONTAŻ

Kurтины powietrzne muszą być zamontowane jak najbliżej otworu drzwiowego i pokrywać:

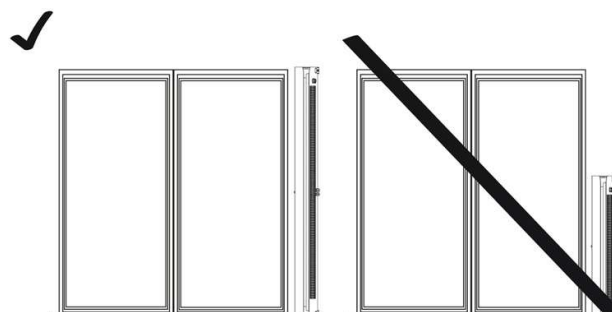
- całą szerokość (dotyczy montażu poziomego),
- całą wysokość (dotyczy montażu pionowego).



DOBRZE

ŹLE

RYS. 7.1 POPRAWNY MONTAŻ POZIOMY.



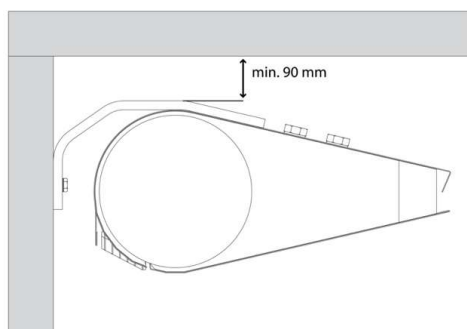
DOBRZE

ŹLE

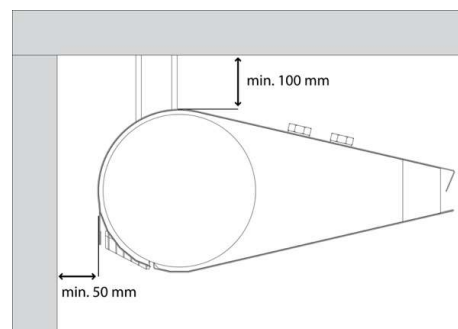
RYS. 7.2 POPRAWNY MONTAŻ PIONOWY.

8. MONTAŻ – ZALECANE ODLEGŁOŚCI

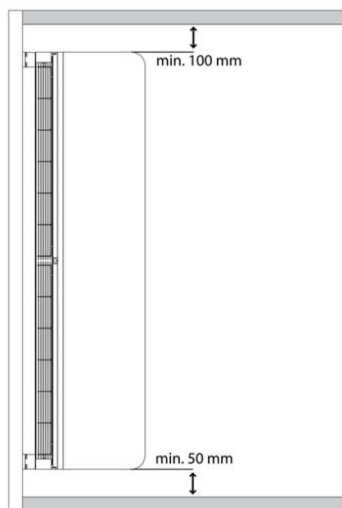
Kurтины Slim przystosowane są do montażu poziomego za pomocą 2 szt. dedykowanych wsporników lub za pomocą 4 szt. szpilek gwintowanych M8 (maksymalna długość szpilek 1 m). Możliwy jest również pionowy montaż kurтины za pomocą 2 szt. wsporników. Podczas montażu należy zachować minimalne odległości od przegród przedstawione na rysunku poniżej. Ponadto przy montażu kurтины należy uwzględnić swobodny dostęp do boków urządzenia (wymagane min. 100 mm). Nie można montować kurтины elektrycznej (SLIM E) bezpośrednio pod gniazdem zasilającym. Przed załączeniem do pracy urządzenie musi zostać wypoziomowane.



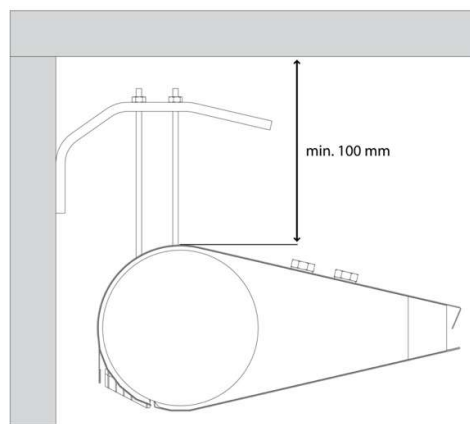
RYS. 8.1 MONTAŻ PODSTROPOWY ZA POMOCĄ 2 SZT. DEDYKOWANYCH WSPORNIKÓW.



RYS. 8.2 MONTAŻ PODSTROPOWY ZA POMOCĄ 4 SZT. SZPILEK GWINTOWANYCH M8.



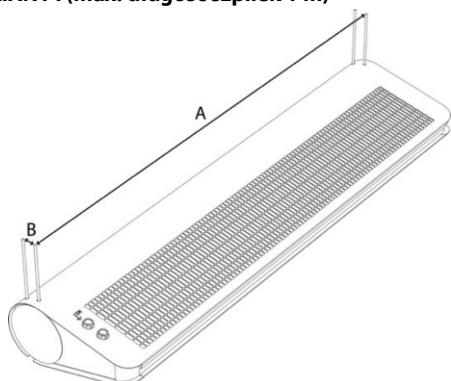
RYS. 8.3 MONTAŻ PIONOWY ZA POMOCĄ 2 SZT. DEDYKOWANYCH WSPORNIKÓW.



RYS. 8.4 MONTAŻ POZIOMY NA 4 SZPILKACH GWINTOWANYCH M8 ZA POMOCĄ 2 SZT. DEDYKOWANYCH WSPORNIKÓW.

9. MONTAŻ ZA POMOCĄ SZPILEK GWINTOWANYCH

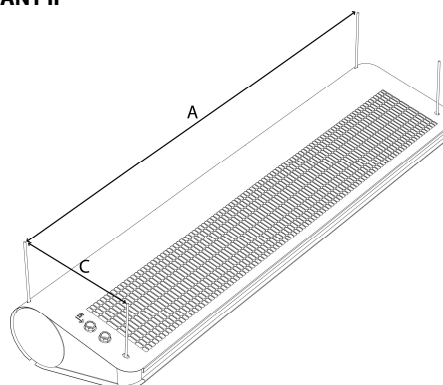
WARIANT I (max. długość szpilek 1 m)



SLIM	Rozstaw szpilek AxB [mm]
N/W/E-100;	946x40
N/W/E-150;	1446x40
N/W/E-200;	1946x40

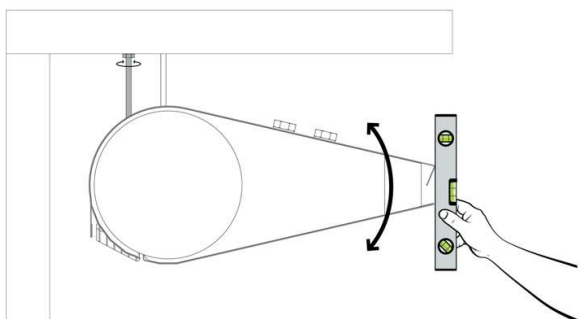
RYS. 9.1 ROZSTAW SZPILEK GWINTOWANYCH M8.


WARIANT II



SLIM	Rozstaw szpilek AxC [mm]
N/W/E-100;	946x266
N/W/E-150;	1446x266
N/W/E-200;	1946x266

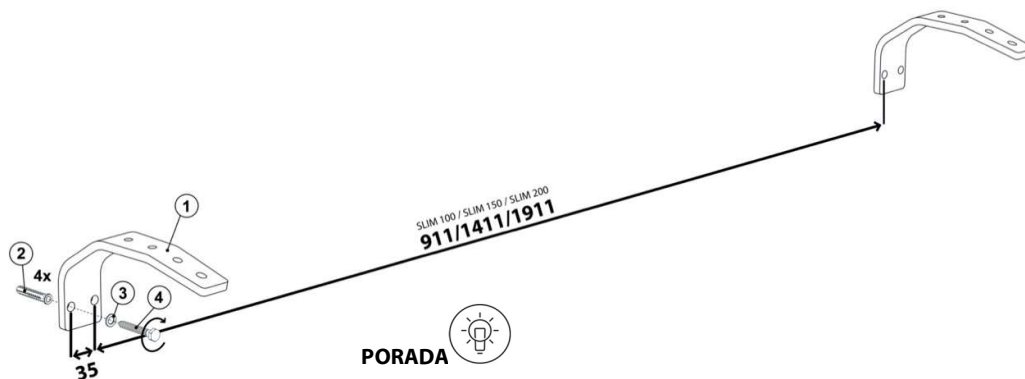
RYS. 9.2 ROZSTAW SZPILEK GWINTOWANYCH M8.



PRZESTROGA  Należy wykonać kontrolę tylnych szpilek za pomocą nakrętek.

RYS. 9.3 POZIOMOWANIE I KONTROWANIE URZĄDZENIA.

10. MONTAŻ ZA POMOCĄ WSPORNIKÓW

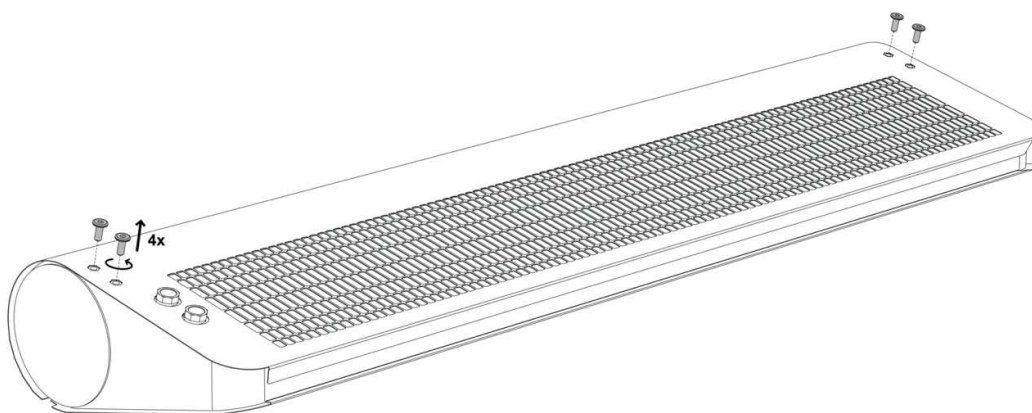


PORADA

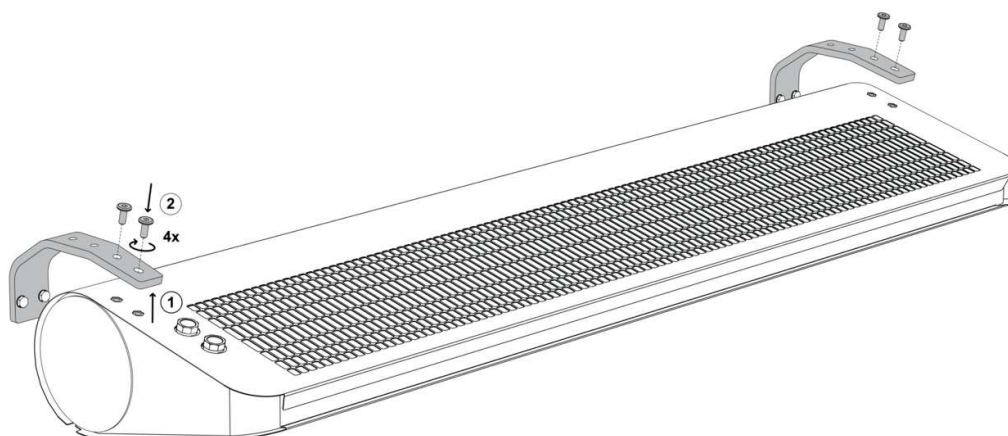


- Montaż wsporników (1) do ściany należy wykonać za pomocą:
- (2) kołek rozporowy x 4 szt.* - odpowiednio dobrany do rodzaju przegrody
 - (3) podkładki x 4 szt.*
 - (4) śruba rozporowa x 4 szt.* - maksymalny rozmiar M10
- *Brak w zestawie

RYS 10.1 ROZSTAW KONSOLI MONTAŻOWYCH.

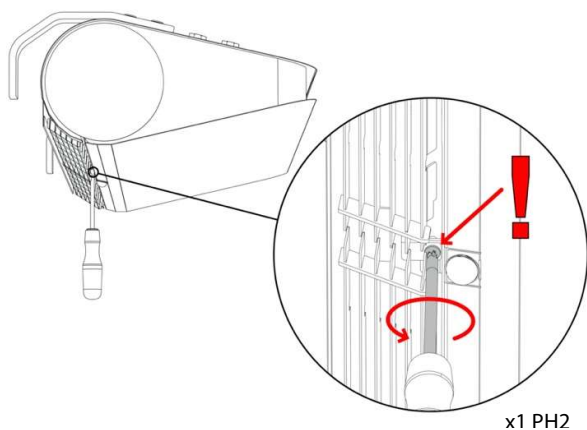


RYS 10.2 WYKRĘCENIE ŚRUB Z URZĄDZENIA.

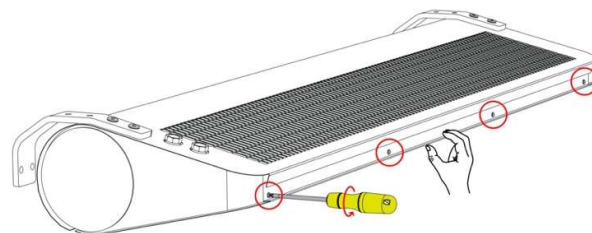


RYS. 10.3 MONTAŻ URZĄDZENIA ZE WSPORNIKIEM ZA POMOCĄ ŚRUB.

11. PODŁĄCZENIE INSTALACJI ELEKTRYCZNEJ

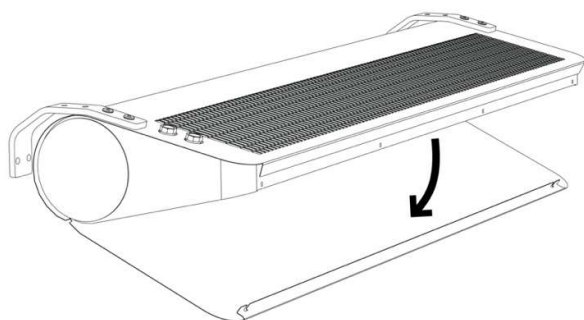


RYS. 11.1 ODKRĘCENIE ŚRUBY PRZY KRATCE.

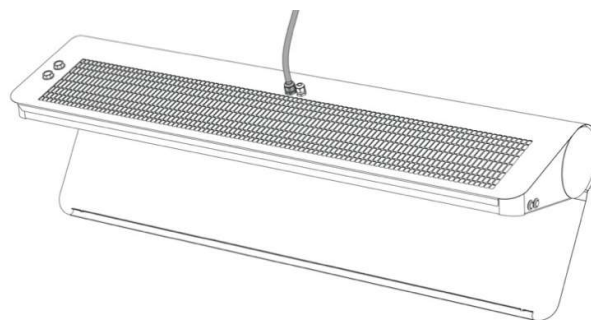


SLIM .. 100 x3 PH2
SLIM .. 150 x4 PH2
SLIM .. 200 x5 PH2

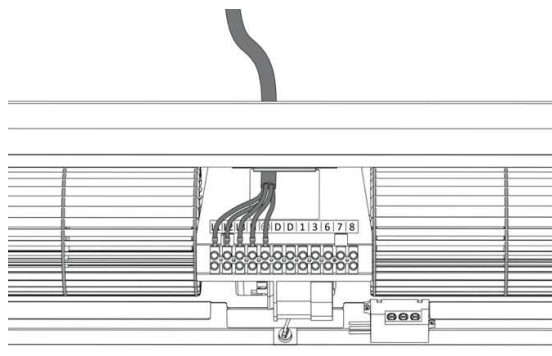
RYS. 11.2 ODKRĘCENIE ŚRUB OD FRONTU.



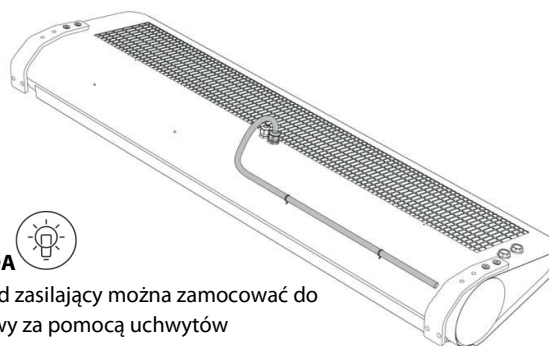
RYS. 11.3 OTWARCIE KLAPY.



RYS. 11.4 PRZEPROWADZENIE PRZEWODU PRZEZ DŁAWNICĘ.



RYS. 11.5 DOPROWADZENIE PRZEWODU DO ZŁĄCZY.



PORADA

Przewód zasilający można zamocować do obudowy za pomocą uchwytów

RYS. 11.6 PROWADZENIE PRZEWODU PO OBUDOWIE.



OSTRZEŻENIE

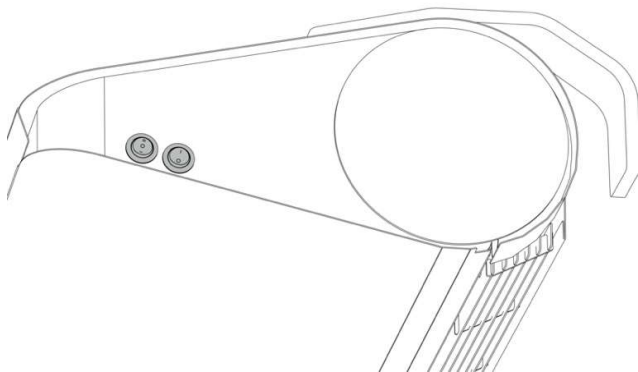
1. Podłączenie zasilania powinno być wykonane zgodnie z dokumentacją techniczną. Instalacja urządzenia powinna zawsze przebiegać w sposób zgodny z obowiązującymi lokalnymi normami bezpieczeństwa.
2. Przekrój i typ przewodu oraz zabezpieczenia powinny zostać dobrany przez projektanta. Należy zawsze upewnić się, że odłączniki i wyłączniki ochronne są odpowiednio wymiarowane oraz odłączają wszystkie bieguny zasilania.
3. Należy upewnić się, że podłączenie zasilania oraz sterowników do kurtyny Slim jest wykonane zgodnie ze specyfikacjami elektrycznymi i z instrukcjami ujętymi na schematach przyłączy w dokumentacji technicznej.
4. Przed podłączeniem zasilania należy sprawdzić, czy napięcie w sieci jest zgodne z napięciem na tabliczce znamionowej urządzenia.
5. Przed podłączeniem kurtyny powietrznej należy sprawdzić poprawność podłączenia zasilania.
6. Uruchomienie urządzenia bez podłączenia przewodu uziemiającego jest niedozwolone.
7. Należy zabezpieczyć przewód zasilający przed wyrwaniem poprzez zaciśnięcie w dławnicy PG16 lub PG11.
8. Należy odpowiednio mocno dokręcić wszystkie przewody przyłączeniowe w kostce.
9. W przypadku pojawienia się zagrożenia spowodowanego niezamierzonym zresetowaniem wyłącznika termicznego, niniejsza kurtyna (SLIM E) nie powinna być zasilana poprzez zewnętrzne urządzenie łączące takie jak łącznik czasowy, lub podłączona do obwodu, który jest regularnie wyłączany i załączany w trakcie użytkowania.
10. Nie należy uruchamiać urządzenia z otwartą klapą serwisową.

12. STEROWANIE WBUDOWANE

Kurtyna posiada wbudowany układ automatyki umożliwiający automatyczną pracę względem sygnału z czujnika ruchu. Urządzenie posiada przełącznik zmiany biegów (1 bieg; OFF; 3 bieg) oraz włącznik elementów grzejnych lub otwarcia zaworu (ON; OFF). Przełączniki znajdują się na prawym boku urządzenia i wymagają swobodnego dostępu.

Urządzenie uruchamia się automatycznie po wykryciu ruchu w obszarze czujnika i pracuje względem ustawień wybranych na przełącznikach.

USTAWIENIA FABRYCZNE: C:2000 lux; B:10 s; A:6 m; przełącznik grzania pozycja dolna **O**; przełącznik zmiany biegów pozycja środkowa **O**.



RYS. 12.1 FUNKCJE NABUDOWANYCH PRZYCISKÓW.



III – 3 bieg wentylatora

O – wyłączenie urządzenia tj. biegu wentylatora i grzania

I – 1 bieg wentylatora



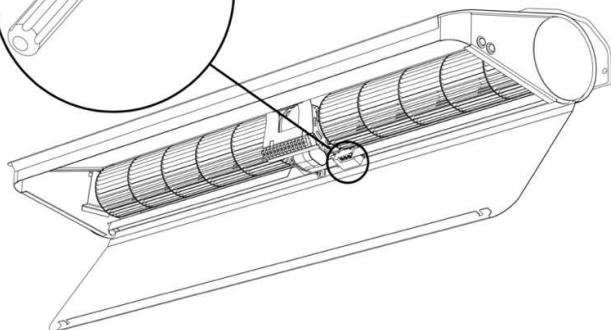
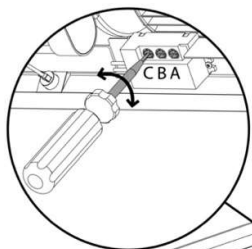
I – elementy grzejne (SLIM E)/zawór (SLIM W) załączone

O – elementy grzejne (SLIM E)/zawór (SLIM W) wyłączone



PORADA

załączenia sygnału grzania sygnalizowane jest czerwonym podświetleniem przełącznika.



RYS. 12.2 REGULACJA PARAMETRÓW CZUJNIKA RUCHU.

C – czułość światła; zakres [10 lux...2000 lux]

B – opóźnienie wyłączenia; zakres [10 s...420 s]

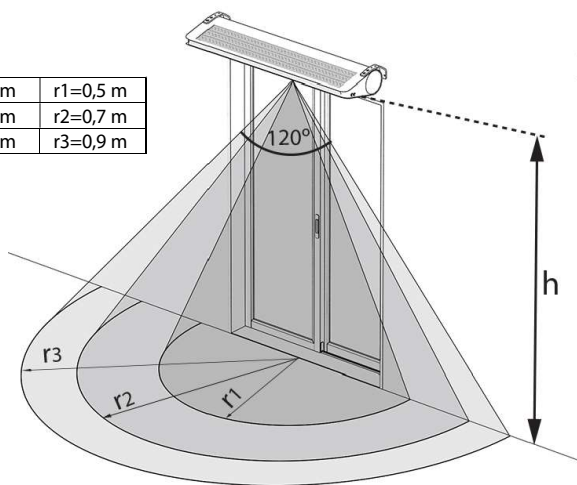
A – regulacja zasięgu czujnika; zakres [2-6 m]



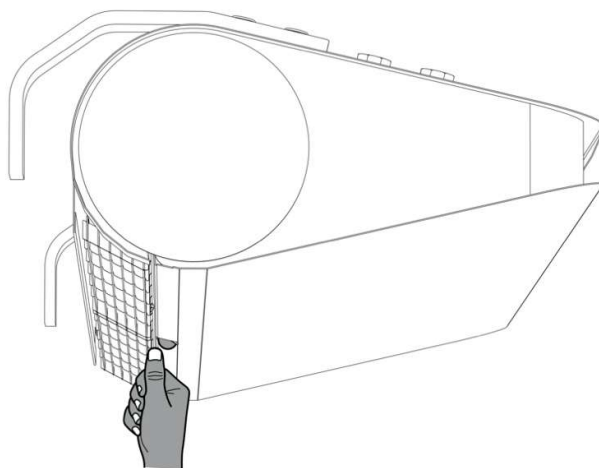
PORADA

W przypadku zbyt dużego obszaru wykrywania ruchu należy w pierwszej kolejności dokonać regulacji obszaru zadziałania (patrz RYS. 12.3.)

h=2,1 m	r1=0,5 m
h=2,8 m	r2=0,7 m
h=3,2 m	r3=0,9 m

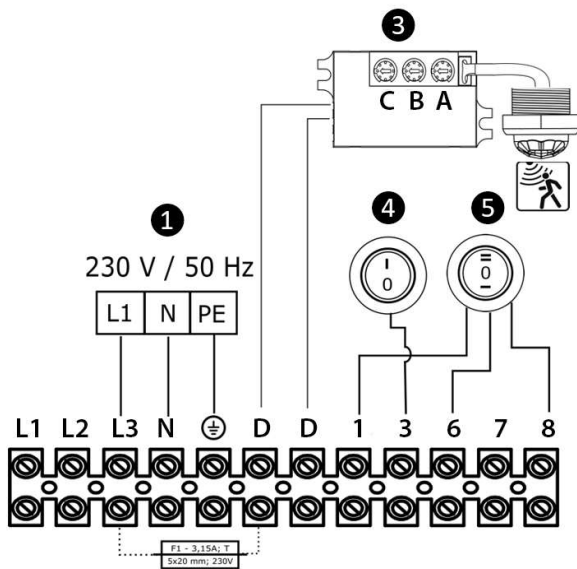


RYS. 12.3 OBSZARU ZADZIAŁANIA CZUJNIKA RUCHU.

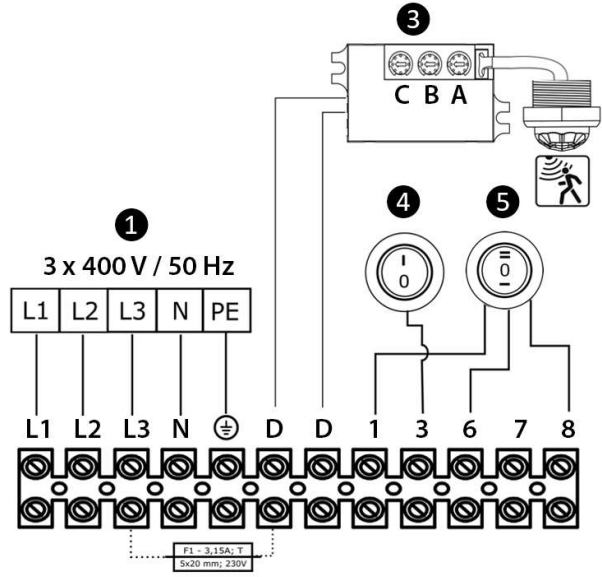


RYS. 12.4 ZMIANA OBSZARU ZADZIAŁANIA CZUJNIKA RUCHU.

13. STEROWANIE WBUDOWANE - SCHEMAT PODŁĄCZENIA SLIM E;



SCHEMAT 13.1 ZASILANIE 1N ~ 230V/50 Hz



SCHEMAT 13.2 ZASILANIE 3N ~ 400V/50 Hz

1 Zasilanie:

1N ~ 230V/50Hz:

- SLIM E-100 (min.3x1,5 mm²; Zabezpieczenie B10)
- SLIM E-150 (min.3x1,5 mm²; Zabezpieczenie B16)
- SLIM E-200 (min.3x2,5 mm²; Zabezpieczenie B20)

3N ~ 400V/50Hz:

- SLIM E-100 (min.5x2,5 mm²; Zabezpieczenie B16)
- SLIM E-150 (min.5x2,5 mm²; Zabezpieczenie B20)
- SLIM E-200 (min.5x4,0 mm²; Zabezpieczenie B25)

PORADA



- Maksymalna średnica zewnętrzna płaszczka przewodu wynosi 14,0 mm;
- Minimalna średnica zewnętrzna płaszczka przewodu 4,0 mm;
- Maksymalna średnica przekroju przewodu 4,0 mm².

3 Czujnik ruchu: w celu pominięcia odłącz i zaizoluj/zabezpiecz przewody ze złączy D; D – w to miejsce należy podłączyć zworę kablową (min. 1x1,0 mm²) lub czujnik drzwiowy (min. 2x1,0 mm²);

4 Przełącznik grzania (I – elementy grzejne załączone, O – elementy grzejne wyłączone);

5 Przełącznik zmiany biegów (I – 1 bieg wentylatora, O – urządzenie wyłączone, II – 3 bieg wentylatora).

PORADA



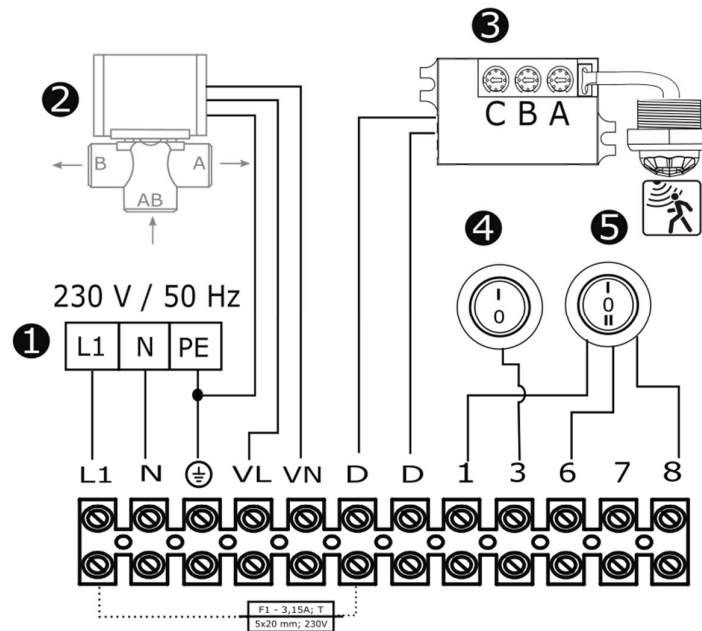
- 1) W celu podłączenia 2 biegu wentylatora należy przewód ze złączki 6 podłączyć do złączki 7. W takim przypadku pozycja I na przełączniku oznaczać będzie załączenie 2 biegu wentylatora.
- 2) Po każdorazowym załączeniu kurtyny poprzez czujnik ruchu działa ona przez ustawiony czas (fabrycznie 10 s), chyba że zostanie wykryty ruch w obszarze objętym przez czujnik.
- 3) Kurtyna uruchamia się automatycznie po wykryciu ruchu w obszarze czujnika i pracuje względem ustawień wybranych na przełącznikach.

OSTRZEŻENIE



W przypadku pojawienia się zagrożenia spowodowanego niezamierzonym zresetowaniem wyłącznika termicznego, niniejszy sprzęt nie powinien być zasilany poprzez zewnętrzne urządzenie łączące, takie jak łącznik czasowy, lub podłączony do obwodu rozłącznik, który jest regularnie wyłączany i załączany w trakcie użytkowania.

14. STEROWANIE WBUDOWANE - SCHEMAT PODŁĄCZENIA SLIM W; SLIM N;



SCHEMAT 14.1 ZASILANIE 1N ~ 230V/50 Hz

- ① Zasilanie: 1N~230V/50Hz (min.3x1,5mm²; zabezpieczenie B4)
- ② SRQ3d ½"; SRQ2d ½" zawór z siłownikiem (min.3x0,75mm²)



PORADA

- Maksymalna średnica zewnętrzna płaszczka przewodu wynosi 14,0 mm;
- Minimalna średnica zewnętrzna płaszczka przewodu 4,0 mm;
- Maksymalna średnica przekroju przewodu 4,0 mm².

- ③ Czujnik ruchu: w celu pominięcia odłączyć i zaizolować/zabezpieczyć przewody ze złączki D; D – w to miejsce należy podłączyć zworę kablową (min. 1x1,0 mm²) lub czujnik drzewiowy (min. 2x1,0 mm²);
- ④ Przełącznik grzania (SLIM W) (I – zawór otwarty, O – zawór zamknięty); Zawór jest wyposażeniem opcjonalnym;
- ⑤ Przełącznik zmiany biegów (SLIM W/N) (I – 1 bieg wentylatora, O – urządzenie wyłączone, II – 3 bieg wentylatora).

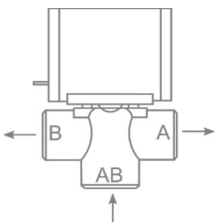
- 1) W celu podłączenia 2 biegu wentylatora należy przewodu ze złączki 6 podłączyć do złączki 7. W takim przypadku pozycja I na przełączniku oznaczać będzie załączenie 2 biegu wentylatora.
- 2) Po każdorazowym załączeniu kurtyny poprzez czujnik ruchu działa ona przez ustawiony czas (fabrycznie 10 s), chyba że zostanie wykryty ruch w obszarze objętym przez czujnik.
- 3) Kurtyna uruchamia się automatycznie po wykryciu ruchu w obszarze czujnika i pracuje względem ustawień wybranych na przełącznikach.



PORADA

PARAMETRY ZAWORÓW SRQ:

- SRQ3d ½" – Zawór trójdrogowy ½" z siłownikiem
- SRQ2d ½" – Zawór dwudrogowy ½" z siłownikiem



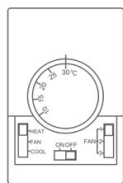
Stopień ochrony: IP20
 Napięcie zasilania: 230/50 Hz
 Maks. temperatura czynnika: +93°C
 Maks. ciśnienie robocze: 2,1Mpa
SRQ2d ½" Kvs: 3,0 m³/h
SRQ3d ½" Kvs: 3,4 m³/h
 Czas przebiegu: 18 s

A – doprowadzenie czynnika grzewczego na rurę powrotną kurtyny
 AB – doprowadzenie czynnika grzewczego do zaworu
 B – doprowadzenie czynnika grzewczego do kurtyny

15. STEROWANIE - OPCJONALNE ELEMENTY

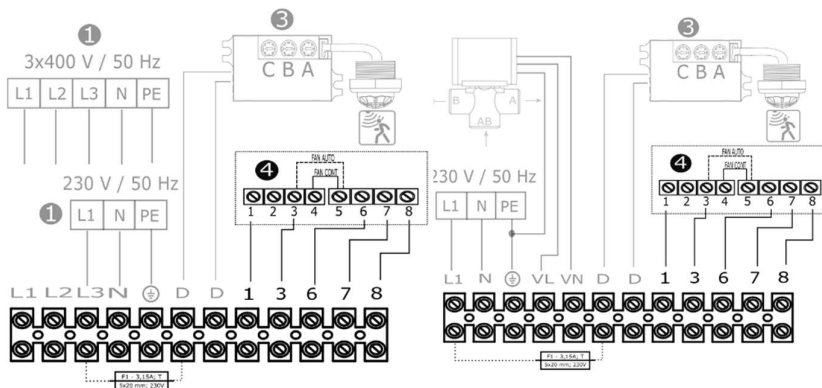
STEROWNIK TS

3-stopniowy regulator z wbudowanym termostatem



Zakres nastawy temperatury: +10 ... +30°C
 Zakres temperatury pracy: 0 ... +40°C
 Stopień ochrony: IP30
 Obciążalność styków: indukcyjne 5 A
 Napięcie zasilania: 230 V/50 Hz

FAN AUTO – praca wentylatorów zależna od temp.
 FAN CONT - praca wentylatorów ciągła
 HEAT – funkcja grzania
 FAN – dla FAN CONT dezaktywacja pracy termostatu
 COOL – odwrócenie logiki pracy termostatu



SCHEMAT 15.1. SLIM E + TS.

SCHEMAT 15.2. SLIM W/N + TS.

- 1 2 3 Schemat podłączenia wskazanych elementów wraz z opisem przewodów i zabezpieczeń znajduje się w rozdziale 13 i 14;
- 4 3-stopniowy regulator obrotów z termostatem TS (min. 5x1,0 mm²).

PORADA

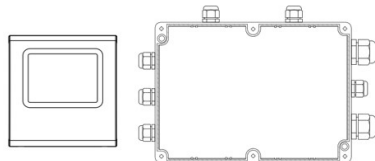
Kurtyna uruchamia się automatycznie po wykryciu ruchu w obszarze czujnika i pracuje względem ustawień wybranych na sterowniku TS. W celu pracy tylko względem sterownika TS należy wykonać zworę kablową pomiędzy złączami D; D; - patrz rozdział 13 i 14

OSTRZEŻENIE

W przypadku podłączenia sterownika TS do kurtyny należy przewody ze złączek 1;3;6;8 odłączyć oraz zaizolować / zabezpieczyć. W takim przypadku nabudowane przyciski są rozłączone.

STEROWNIK T-box/T-box Zone + DRV Slim (opcja podłączenia do BMS)

T-box/T-box Zone + DRV Slim – sterownik z ekranem dotykowym + układ sterowania



T-box/T-box Zone:
 Zakres nastawy temperatury: +5 ... +35°C
 Zakres temperatury pracy: -10 ... +60°C
 Stopień ochrony: IP30
 Napięcie zasilania: 24 VDC

DRV Slim:
 Zakres temperatury pracy: -10 ... +60°C
 Stopień ochrony: IP54
 Napięcie zasilania: 230 V/50 Hz

Schematy podłączenia znajdują się w dokumentacji DRV Slim.

PORADA

Przy współpracy z DRV Slim z wbudowanym czujnikiem ruchu należy zastosować wersję kurtyny **AS**: **SLIM-N/W/E-100/150/200/AS**

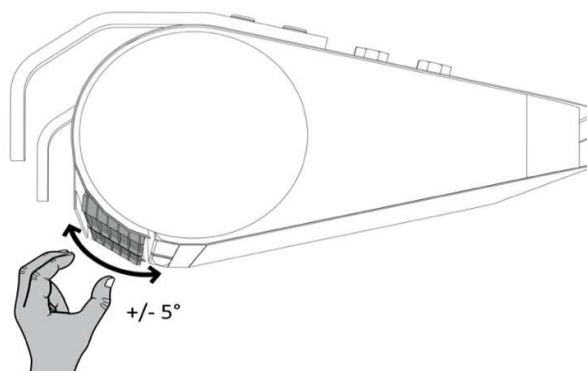
Schematy podłączenia znajdują się w dokumentacji DRV Slim.

OSTRZEŻENIE

W przypadku podłączenia DRV Slim do standardowej kurtyny Slim (**bez wersji AS**) należy przewody ze złączek 1;3;6;8 odłączyć oraz zaizolować/zabezpieczyć. W takim przypadku nabudowane przyciski są rozłączone.

Przewody ze złączek D; D należy rozłączyć i zaizolować w przypadku współpracy standardowej kurtyny Slim (**bez wersji AS**) z DRV Slim. W takim przypadku czujnik ruchu jest rozłączony, a kurtyna pracuje względem logiki zawartej w DRV Slim.

16. REGULACJA KRATKI WYLOTOWEJ



RYS. 16.1 RĘCZNA REGULACJA KRATKI WYLOTOWEJ.

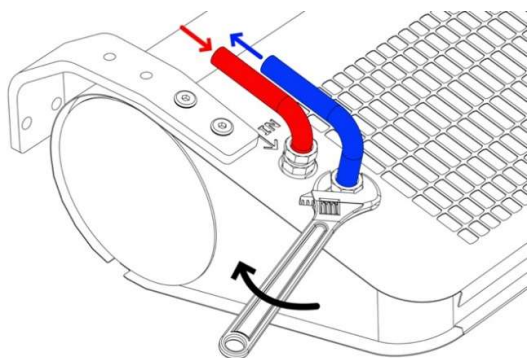
Urządzenie wyposażone jest w dwie niezależnie regulowane kratki wylotowe. Nastawę kąta należy wykonać ręcznie w zakresie $\pm 5^\circ$. Nadmuch powietrza z kratki wylotowej powinien być ukierunkowany jak najbliżej płaszczyzny otworu drzwiowego (uwzględniając warunki panujące przy otworze drzwiowym, w tym napór wiatru i podciśnienie).



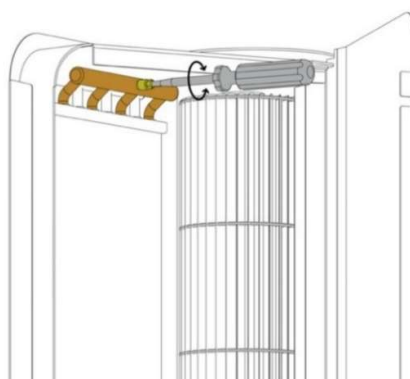
PORADA

W celu zwiększenia skuteczności bariery powietrznej podczas naporu wiatru należy strumień kurtyny skierować na zewnątrz, w celu stworzenia oporu dla czynników zewnętrznych.

17. PODŁĄCZENIE INSTALACJI HYDRAULICZNEJ



RYS. 17.1. DOPROWADZENIE CZYNNIKA GRZEWczego.



RYS. 17.2. WBUDOWANY ZAWÓR ODPOWIETRZAJĄCY.

OSTRZEŻENIE

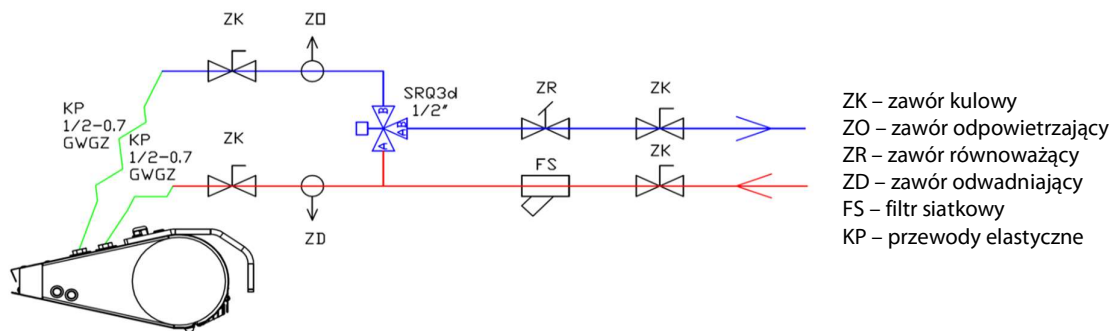


1. Przed podłączeniem instalacji wodnej należy odłączyć zasilanie kurtyny.
2. Przyłącze powinno być wykonane w sposób niepowodujący naprężeń. Zalecane jest stosowanie przewodów elastycznych doprowadzających czynnik grzewczy.
3. Zasilanie wody należy podłączyć do króćca oznaczonego symbolem \downarrow IN.
4. Instalacja z czynnikiem grzewczym musi być zabezpieczona przed wzrostem ciśnienia czynnika grzewczego ponad dopuszczalną wartość (1,6 MPa).
5. Przed uruchomieniem urządzenia należy sprawdzić prawidłowość podłączenia przewodów z czynnikiem grzewczym oraz szczelność instalacji.
6. Podczas montażu instalacji należy bezwzględnie unieruchomić króćce przyłączeniowe wymiennika (kontrować).
7. Po napełnieniu układu czynnikiem, należy sprawdzić szczelność połączeń hydraulicznych w tym wbudowanego odpowietrznika.

PORADA



1. Zalecane jest zastosowanie zaworów odpowietrzających w najwyższym punkcie instalacji. Przy instalacji pionowej urządzenia, odpowietrzenie należy wykonać przy użyciu wbudowanego zaworu (Rys.17.2), zabezpieczając przy tym pozostałe elementy urządzenia przed zalaniem.
2. W przypadku, gdy woda z urządzenia zostaje spuszczone na dłuższy okres czasu, rurki wymiennika należy przedmuchać sprężonym powietrzem.
3. Instalacja powinna być wykonana w taki sposób, aby w razie awarii istniała możliwość przeprowadzenia demontażu urządzenia (zalecane użycie przewodów elastycznych). W tym celu należy zastosować zawory odcinające tuż przy urządzeniu (Rys. 17.3).



RYS. 17.3. PRZYKŁADOWY UKŁAD PODŁĄCZENIA ELEMENTÓW HYDRUALICZNYCH.

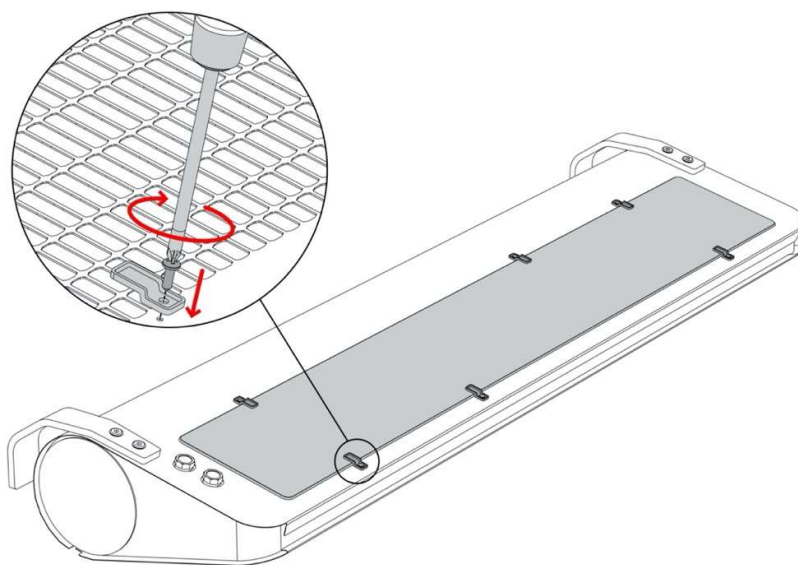
18. PARAMETRY CZYNNIKA GRZEWczego

Wodny wymiennik ciepła można zasilać wodą lub roztworami glikolu o stężeniu do 60%. Rurki wymiennika ciepła są wykonane z miedzi. Medium zasilające nie powinno powodować korozji tego materiału. W szczególności należy zapewnić parametry jak poniżej w tabeli.

Parametr	Wartość
pH	7,5-9,0
Zanieczyszczenia	brak osadów, cząstek
Całkowita twardość	$[Ca^{2+}, Mg^{2+}] / [HCO_3^-] > 0.5$
Olej i smar	<1 mg/l
Tlen	<0.1 mg/l
HCO ³	60-300 mg/l
Amoniak	< 1.0 mg/l
Siarczki	< 0.05 mg/l
Chlorki, Cl	<100 mg/l

19. MONTAŻ FILTRA

Kurtyny Slim w wersji N i W przystosowane są do pracy z zewnętrznym filtrem COARSE 30% montowanym na górnej powierzchni urządzenia. Filtr należy wymieniać okresowo, w zależności od stopnia zabrudzenia. Podczas wymiany filtra należy poluzować uchwyt mocujący a następnie go obrócić.



RYS. 19.1. MONTAŻ I WYMIANA FILTRA.

20. EKSPLOATACJA

OSTRZEŻENIE



1. Urządzenie musi podlegać okresowym przeglądom. Czynności te powinny być wykonane wyłącznie przez wykwalifikowany personel. Przy nieprawidłowej pracy urządzenia należy je niezwłocznie wyłączyć i skontaktować się ze WSPARCIEM SERWISOWYM firmy FLOWAIR.
2. Nie należy podejmować samodzielnych prób naprawy, przeniesienia, modyfikacji ani ponownej instalacji urządzenia. Wykonywanie tych czynności przez nieupoważniony do tego personel może stać się przyczyną porażenia prądem elektrycznym lub pożaru.
3. Nie wolno używać uszkodzonego urządzenia. Producent nie bierze odpowiedzialności za szkody wynikłe podczas użytkowania uszkodzonego urządzenia.
4. Urządzenie przeznaczone jest do pracy wewnątrz pomieszczeń, w temperaturach powyżej 0°C. W niskich temperaturach (poniżej 0°C) istnieje niebezpieczeństwo zamarznięcia czynnika.
5. **Producent nie ponosi odpowiedzialności za uszkodzenia wymiennika ciepła będące skutkiem zamarznięcia czynnika w wymienniku.**

PORADA



1. Elementy grzejne wyposażone są w zabezpieczenia termiczne, które w przypadku zbyt wysokiej temperatury w ich otoczeniu rozłączy układ grzania. Możliwość ponownego załączenia grzania może nastąpić po obniżeniu temperatury oraz:
 - a) ręcznym resecie poprzez włączenie i wyłączenie grzania nadbudowanym przyciskiem lub zewnętrznym sterownikiem,
 - b) automatycznym resecie po wykryciu ruchu w zasięgu czujnika lub zmiany biegu wentylatora na najwyższy.
2. Przy powtarzającym się rozłączaniu grzania należy skontaktować się z wykwalifikowanym serwisem.
3. W przypadku kurtyn w wersji wodnej, gdy woda z urządzenia zostaje spuszczone na dłuższy okres czasu, rurki wymiennika należy przedmuchać sprężonym powietrzem.

21. CZYSZCZENIE I KONSERWACJA

Okresowo należy sprawdzać (min. dwa razy w roku) stan zabrudzenia wymiennika ciepła (SLIM W), grzałek elektrycznych (SLIM E). Zapchanie części wlotu powietrza powoduje spadek mocy grzewczej urządzenia oraz niekorzystnie wpływa na pracę wentylatora, a także w przypadku grzałek elektrycznych może spowodować trwałą utratę parametrów znamionowych.

Czyszczenie wymiennika należy wykonać stosując się do poniższych wytycznych:

- Na czas przeprowadzania czyszczenia należy odłączyć zasilanie elektryczne.
- Należy otworzyć klapę serwisową.
- Podczas czyszczenia wymiennika należy uważać, aby nie pozaginać aluminiowych lamel.
- Nie zaleca się używania ostrych przedmiotów do czyszczenia, ze względu na możliwość uszkodzenia lamel.
- Zaleca się czyszczenie sprężonym powietrzem.
- Nie dopuszcza się czyszczenia wymiennika wodą!
- Czyszczenie należy wykonywać ruchami wzdłuż lamel, kierując dyszę nadmuchową prostopadle do wymiennika.

PORADA



22. ZGODNOŚĆ Z DYREKTYWĄ 2009/125/WE

	SLIM 100	SLIM 150	SLIM 200
1.		17,2	17,1
2.		B	B
3.		całkowita	
4.		21	21
5.		VSD - brak	
6.		2020	2020
7.		FLOWAIR Sp. z O.O., 0000998741, Polska	
8.	Nie dotyczy, moc w punkcie optimum sprawności energetycznej < 0,125 kW		
9.		0,139 kW, 1242 m ³ /h, 58 Pa	0,197 kW, 2167 m ³ /h, 56 Pa
10.		1288 RPM	1298 RPM
11.		1,0	1,0
12.		Demontaż urządzenia powinien zostać wykonany przez wykwalifikowany personel zaznajomiony z niniejszą dokumentacją urządzenia. W celu utylizacji urządzenia należy zapoznać się z rozdziałem: ZGODNOŚĆ Z DYREKTYWĄ WEEE 2012/19/UE	
13.		Żywotność urządzenia zależna jest od przestrzegania wytycznych zawartych w niniejszej dokumentacji szczególnie wytypowanych jako PRZESTROGI i OSTRZEŻENIA	
14.		Obudowa urządzenia	

23. ZGODNOŚĆ Z DYREKTYWĄ WEEE 2012/19/UE

Prowadzenie działalności bez szkody dla środowiska i przestrzeganie zasad prawidłowego postępowania ze zużytym sprzętem elektrycznym i elektronicznym to dla firmy FLOWAIR priorytet.

Jako producent takich urządzeń współpracujemy z organizacją Odzysku Sprzętu Elektrycznego i Elektronicznego z firmą Elektro-System.

Symbol przekreślonego kosza na śmieci umieszczany na sprzęcie, opakowaniu lub dokumentach do niego dołączonych oznacza, że produktu nie wolno wyrzucać łącznie z innymi odpadami. Obowiązkiem użytkownika jest przekazanie zużytego sprzętu do wyznaczonego punktu zbiórki w celu właściwego jego przetworzenia. Oznakowanie oznacza jednocześnie, że sprzęt został wprowadzony do obrotu po dniu 13 sierpnia 2005 r.



Informacja o systemie zbierania zużytego sprzętu elektrycznego i elektronicznego.

Mogą Państwo:

- oddać elektrośmieci nie wychodząc z domu i nie ponosząc żadnych kosztów. Electro-System wspólnie z REMONDIS stworzył usługę bezpłatnego odbioru wielkogabarytowego sprzętu elektrycznego i elektronicznego. Więcej informacji na stronie www.decdujesz.pl
- zostawić zużyty sprzęt w sklepie, w którym kupowane jest nowe urządzenie - dotyczy sprzętu tego samego rodzaju i pełniącego tę samą funkcję.
- odnieść zużyty sprzęt do punktu zbierania. Informację o najbliższej lokalizacji można znaleźć na gminnej stronie internetowej lub tablicy ogłoszeń urzędu gminy.
- zostawić sprzęt w punkcie serwisowym. Jeżeli naprawa sprzętu jest nieopłacalna lub niemożliwa ze względów technicznych, serwis jest zobowiązany do nieodpłatnego przyjęcia tego urządzenia.

PAMIĘTAJMY:

Nie wolno wyrzucać zużytego sprzętu łącznie z innymi odpadami! Grożą za to kary pieniężne. Odpowiednie postępowanie ze zużytym sprzętem zapobiega potencjalnym negatywnym konsekwencjom dla środowiska naturalnego i ludzkiego zdrowia. Jednocześnie oszczędzamy naturalne zasoby naszej Ziemi, wykorzystując powtórnie surowce uzyskane z przetwarzania sprzętu

24. WARUNKI SERWISU I GWARANCJI

W razie jakichkolwiek nieprawidłowości w działaniu urządzenia prosimy o kontakt z działem serwisu producenta.

Warunki gwarancji:

1. Klient ma prawo w ramach gwarancji do bezpłatnej naprawy urządzenia w wypadku wady ujawnionej w okresie trwania gwarancji.
2. Klient ma prawo w ramach gwarancji do wymiany urządzenia lub jego elementu na nowy produkt, wolny od wad, tylko wtedy gdy w okresie gwarancji producent stwierdzi, iż usunięcie wady nie jest możliwe.
3. Dowód zakupu stanowi dla użytkownika podstawę do wystąpienia o bezpłatne wykonanie naprawy.
4. W przypadku bezpodstawnego wezwania do naprawy gwarancyjnej koszty z tym związane w pełnej wysokości ponosić będzie użytkownik.
5. Gwarancja przysługuje przez okres 24 kolejnych miesięcy od daty zakupu.
6. Gwarancja jest ważna wyłącznie na terytorium Rzeczypospolitej Polskiej.
7. W celu wykonania naprawy gwarancyjnej użytkownik jest zobowiązany do dostarczenia reklamowanego urządzenia do producenta.
8. Producent zastrzega sobie prawo do rozpatrzenia i naprawy urządzenia w ciągu 14 dni roboczych od dnia dostarczenia urządzenia do producenta.
9. W przypadku, gdy wada nie ma charakteru trwałego i jej ustalenie wymaga dłuższej diagnozy producent zastrzega sobie prawo przedłużenia terminu rozpatrzenia gwarancji określonego w punkcie 7. O konieczności przedłużenia terminu potrzebnego do rozpatrzenia gwarancji producent zawiadomi przed upływem 14-tego dnia, liczonego od dnia dostarczenia reklamowanego urządzenia.
10. Producent może wysłać zastępcze urządzenie na życzenie klienta w czasie rozpatrywania gwarancji. Na wysłany, nowy towar wystawiana jest faktura, do której klient otrzyma korektę w przypadku pozytywnego rozpatrzenia reklamacji.
11. W przypadku stwierdzenia, że usterka wynika z powodu użytkowania urządzenia niezgodnie z wytycznymi producenta lub reklamowane urządzenie okazało się w pełni sprawne – gwarancja nie zostanie uznana, a zgłaszający będzie musiał dokonać zapłaty za urządzenie zastępcze zgodnie z wystawioną fakturą.

Ograniczenia gwarancji

1. W skład świadczeń gwarancyjnych nie wchodzi: montaż i instalacja urządzeń, prace konserwacyjne, usuwanie usterek spowodowanych brakiem wiedzy na temat obsługi urządzenia.
2. Gwarancja nie obowiązuje w przypadku wystąpienia niżej wymienionych usterek:
 - 2.1. u uszkodzenia lub zniszczenia produktu powstałe w rezultacie niewłaściwej eksploatacji, postępowania niezgodnego z zaleceniami normalnego użycia lub niezgodnego z dostarczoną z urządzeniem dokumentacją techniczną,
 - 2.2. wad powstałych na skutek montażu urządzeń niezgodnie z dokumentacją techniczną,
 - 2.3. wady powstałe na skutek niezgodnego z zaleceniami w dokumentacji technicznej fizycznego lub elektrycznego oddziaływania, przegrzania lub wilgoci albo warunków środowiskowych, zamknięcia, korozji, utleniania, uszkodzenia lub wahań napięcia elektrycznego, pioruna, pożaru lub innej siły wyższej powodującej zniszczenia lub uszkodzenia produktu,
 - 2.4. mechaniczne uszkodzenia lub zniszczenia produktów i wywołane nimi wady,

- 2.5. uszkodzenia powstałe na skutek niewłaściwego transportowania lub zapakowania produktu przesyłanego do punktu sprzedaży. Klient ma obowiązek sprawdzenia towaru przy odbiorze. W razie stwierdzenia usterek klient jest zobowiązany poinformować o nich producenta oraz spisać protokół uszkodzeń u przewoźnika,
- 2.6. wad powstałych na skutek normalnego zużycia materiałów wynikających z normalnej eksploatacji.

Wyprodukowano w Polsce

Producent: FLOWAIR SP. Z O.O.
Chwaszczyńska 135, 81-571 Gdynia
e-mail: info@flowair.pl
www.flowair.com

1. ВАЖНО

Мы приложили все усилия, чтобы сделать это руководство максимально понятным. Если у вас есть какие-либо вопросы обращайтесь в отдел поддержки FLOWAIR: info@flowair.pl. На нашем сайте www.flowair.com, Вы найдете все рекомендации по установке. В этом руководстве Вы найдете всю необходимую информацию.



ВНИМАНИЕ

Перечень действий, которые могут привести к ущербу оборудования или смерти. Перед началом работы ознакомьтесь с данной документацией.



ПРЕДУПРЕЖДЕНИЕ

Перечень действий, которые могут повлечь за собой повреждение товара или получение травм. Перед началом работы ознакомьтесь с данной документацией.



СОВЕТ

Полезные советы для пользователей и монтажников.

ВАЖНАЯ ИНФОРМАЦИЯ ПО БЕЗОПАСНОСТИ:



СОВЕТ

1. Перед сборкой, подключением, вводом в эксплуатацию, использованием и обслуживанием устройства следует ознакомиться с этим руководством в полном объеме.
2. После получения продукта убедитесь, что он не был поврежден при транспортировке. Если продукт поврежден, НЕ НАЧИНАЙТЕ УСТАНОВЛИВАТЬ; в этом случае следует немедленно сообщить о повреждении перевозчику.
3. Устройство должно быть установлено, согласно данной документации, в устойчивом и прочном месте, к которому есть легкий доступ для возможности проведения ремонта, технического обслуживания, простой и безопасной разборки.
4. Стабильность и долговечность установки устройства зависит от конструкции здания (в частности, от стен и потолков). Лицо, выполняющее сборку, должно учитывать эти условия при монтаже устройства.
5. Техническая документация должна храниться в безопасном месте, легко доступном для пользователя и технического специалиста.
6. Паспортная табличка расположена при герметических вводах, в верхней части устройства.
7. Всегда проверяйте работу устройства после установки.



ПРЕДУПРЕЖДЕНИЕ

1. Подключение питания должно выполняться только квалифицированным специалистом.
2. Устройство может запускаться автоматически при обнаружении движения в области датчика.
3. Устройство не оснащено термостатом, который контролирует температуру в помещении. Не используйте устройства в небольших помещениях, где находятся люди, которые не могут его самостоятельно покинуть. Не касается помещений с постоянным наблюдением.
4. Устройство требует периодических проверок в соответствии с инструкциями в данном руководстве.
5. Не оказывайте давление на устройство.
6. Не кладите ничего на устройство и не вешайте что-либо на гибкие подвошки.
7. Продукт следует хранить и устанавливать в недоступном для детей месте.
8. Устройство предназначено для работы в помещении с максимальной запыленностью воздуха 0,3 г / м³. Устройство имеет элементы из алюминия, меди и оцинкованной стали и не может быть использовано в среде, которая может вызвать коррозию.
9. Оборудование нельзя использовать в среде, содержащей масляный туман.
10. Данным оборудованием могут пользоваться дети старше 8 лет, лица со сниженными физическими и умственными способностями, а также с недостатком опыта и знаний об оборудовании при надлежащем надзоре и проведении инструктажа относительно использования завес безопасным образом. Устройство не может быть использовано детьми для игры. Дети не должны выполнять очистку и техническое обслуживание устройства.
11. Устройство в электрическом исполнении (SLIM-E), при первом запуске или после временного простоя, может испускать характерный запах горячей пыли.



ОБРАТИТЕ ВНИМАНИЕ

1. Всегда отключай устройство от источника питания перед обслуживанием или доступом к внутренним компонентам.
2. Не кладите пальцы или какие-либо предметы внутрь устройства.
3. Не прикрывайте устройство.

2. ОБЩАЯ ИНФОРМАЦИЯ

Воздушная завеса Slim - это высококачественное устройство, которое, продувая воздух, снижает теплопотери.

Устройство предназначено ТОЛЬКО для использования внутри помещений. Завеса Slim предназначена для горизонтальной установки над дверью или вертикально рядом с дверями максимальной высотой 4,0 м.

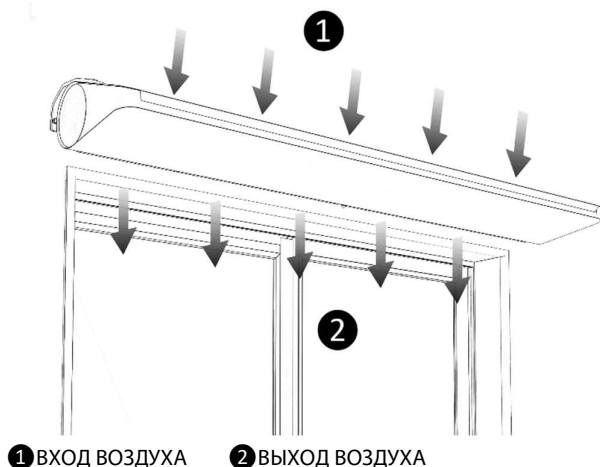
Завеса доступна в холодном варианте (без обогрева), с электрическим или водяным теплообменником.

SLIM-E-100; SLIM-E-150; SLIM-E-200 - завеса электрическим теплообменником, максимальная длина потока воздуха 3,5 м*;

SLIM-W-100; SLIM-W-150; SLIM-W-200 - завеса с водяным теплообменником, максимальная длина потока воздуха 3,5 м*;

SLIM-N-100; SLIM-N-150; SLIM-N-200 - завеса без теплообменника, максимальная длина потока воздуха 4,0 м*.

* в соответствии с ISO 27327-1



1 ВХОД ВОЗДУХА 2 ВЫХОД ВОЗДУХА

РИС. 2.1 НАПРАВЛЕНИЕ ПОТОКА ВОЗДУХА.



РИС. 2.2 ДЛИНА ПОТОКА ВОЗДУХА НА КАЖДОЙ СКОРОСТИ.



СОВЕТ

1. Для использования в зданиях общественного назначения рекомендуется применение завес с подогревом воздуха (W или E).
2. Отрицательное давление в здании значительно снижает эффективность воздушного барьера, баланс вентиляции должен быть сохранен.
3. При скорости воздуха более 3 м/с в здании используйте версию с подогревом для увеличения комфорта пользователя.

3. КОНСТРУКЦИЯ

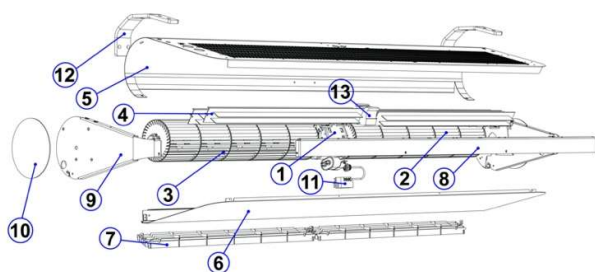


РИС. 3.1 СТРОЕНИЕ SLIM E.

1. Двигатель
2. Правый ротор
3. Левый ротор
4. Электрический теплообменник
5. Верхняя крышка *
6. Нижняя крышка *
7. Выходная решетка
8. Передняя деталь корпуса *
9. Боковая крышка *
10. Боковая крышка *
11. Датчик движения
12. Монтажный кронштейн (дополнительный элемент)
13. Контактёр

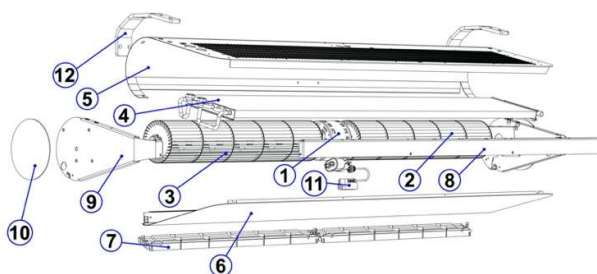


РИС. 3.2 СТРОЕНИЕ SLIM N/W.

1. Двигатель
2. Правый ротор
3. Левый ротор
4. Водяной теплообменник (касается модели SLIM W)
5. Верхняя крышка *
6. Нижняя крышка *
7. Выходная решетка
8. Передняя деталь корпуса *
9. Боковая крышка *
10. Боковая крышка *
11. Датчик движения
12. Монтажный кронштейн (дополнительный элемент)

* Компоненты корпуса из стали окрашенной порошковой краской в цветовой конфигурации RAL 9003 и RAL 9005

4. ТЕХНИЧЕСКИЕ ПАРАМЕТРЫ SLIM-N/W

СКОРОСТЬ	SLIM-N-100			SLIM-N-150			SLIM-N-200		
	III	II	I	III	II	I	III	II	I
Номинальное напряжение [В/Гц]	1N ~ 230/50								
Номинальное потребление мощности [Вт]	140	100	80	200	120	95	230	150	110
Номинальное потребление тока [А]	0,6	0,4	0,3	0,8	0,5	0,4	1,0	0,6	0,5
Производительность [м³/ч]*	1400	1000	800	2300	1550	1300	3000	1900	1300
Производительность с фильтром (Coarse 30%) [м³/ч]*	1000	900	750	1600	1350	1200	2200	1800	1250
Длина потока воздуха [м]*	4,0	2,8	2,1	4,0	2,8	2,1	4,0	2,8	2,1
Уровень акустического давления [дБ(A)]** - 3 м	58	50	44	57	46	42	57	42	35
Уровень акустического давления [дБ(A)]** - 5 м	57	49	43	56	45	41	56	41	34
Уровень акустической мощности [дБ(A)]***	73	65	59	72	61	56	72	57	50
Вес [кг]	14,7			19,0			23,8		
IP	20								
Макс. рабочая температура [°C]	50								

СКОРОСТЬ	SLIM-W-100			SLIM-W-150			SLIM-W-200		
	III	II	I	III	II	I	III	II	I
Номинальное напряжение [В/Гц]	1N ~ 230/50								
Номинальное потребление мощности [Вт]	115	90	75	165	110	90	230	150	115
Номинальное потребление тока [А]	0,5	0,4	0,3	0,7	0,5	0,4	1,0	0,6	0,5
Производительность [м³/ч]*	1100	900	750	1950	1450	1200	2850	1800	1400
Производительность с фильтром (Coarse 30%) [м³/ч]*	750	650	600	1300	1100	1000	1900	1600	1350
Длина потока воздуха [м]*	3,5	2,8	2,1	3,5	2,8	2,1	3,5	2,8	2,1
Уровень акустического давления [дБ(A)]** - 3 м	56	51	46	57	49	45	59	46	38
Уровень акустического давления [дБ(A)]** - 5 м	55	50	45	56	48	44	58	45	37
Уровень акустической мощности [дБ(A)]***	70	66	61	72	64	59	74	61	53
Вес [кг]	16,2			21,5			26,9		
Вес аппарата, наполненного водой [кг]	16,8			22,4			28,1		
IP	20								
Макс. рабочая температура [°C]	50								
Патрубок ["]	½ Внутренняя резьба								
Максимальное рабочее давление [МПа]	1,6								
Максимальная температура теплоносителя [°C]	110								
Мощность обогрева [кВт] ****	0,7 – 11,4			1,0 - 20,2			1,3 – 28,3		
Рост температуры воздуха (ΔT)[°C]****	3 - 31			3 - 31			3 - 30		

* В соответствии с ISO 27327-1;

** Уровень акустического давления для помещения со средним коэффициентом звукопоглощения, объёмом 1500 м³, с коэффициентом Q=2

*** В соответствии с ISO 27327-2;

**** Диапазон мощностей и температур для параметров: I скорость вентилятора, темп. теплоносителя 40/30°C, температура на входе в аппарат 20°C; III скорость вентилятора, темп. теплоносителя 110/90°C, темп. на входе в аппарат 0°C.

5. ТЕХНИЧЕСКИЕ ПАРАМЕТРЫ SLIM-E

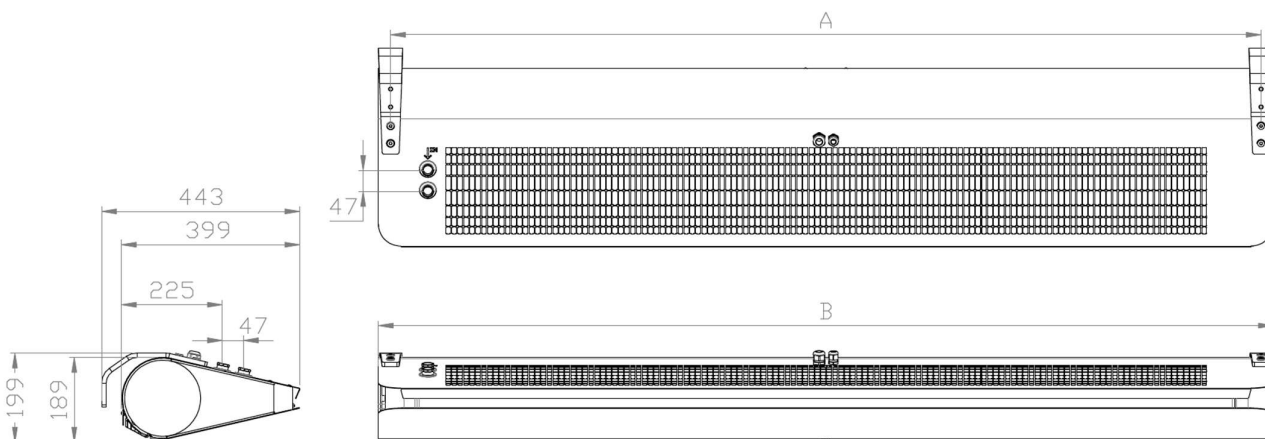
	SLIM-E-100			SLIM-E-150			SLIM-E-200		
СКОРОСТЬ	III	II	I	III	II	I	III	II	I
Номинальное напряжение [В/Гц]	3N ~ 400/50 1N ~ 230/50								
Номинальное потребление мощности [Вт]	130	95	80	195	115	95	230	180	140
Номинальное потребление тока [А]	0,5	0,4	0,3	0,8	0,5	0,4	1,0	0,8	0,6
Производительность [м³/ч]*	1300	950	800	2200	1500	1250	3000	2500	1900
Длина потока воздуха [м]*	3,5	2,8	2,1	3,5	2,8	2,1	3,5	2,8	2,1
Уровень акустического давления [дБ(А)]** - 3 м	57	49	44	55	46	41	58	44	43
Уровень акустического давления [дБ(А)]** - 5 м	56	48	43	54	45	40	57	43	42
Уровень акустической мощности [дБ(А)]***	72	64	59	70	61	56	73	67	60
Вес [кг]	15,1			19,6			24,6		
IP	20								
Макс. рабочая температура[°C]	30								
	3N ~ 400/50								
Номинальное потребление мощности [кВт]	5			9			12		
Номинальное потребление тока [А]	8,5			13			17,3		
Рост температуры воздуха (ΔT)[°C]	11	16	19	12	18	21	12	14	19
	1N ~ 230/50								
Номинальное потребление мощности [кВт]	2			3			4		
Номинальное потребление тока [А]	8,5			13			17,3		
Рост температуры воздуха (ΔT)[°C]	5	6	7	4	6	7	4	5	6

* В соответствии с ISO 27327-1;

** Уровень акустического давления для помещения со средним коэффициентом звукопоглощения, объёмом 1500 м³, с коэффициентом Q=2

*** В соответствии с ISO 27327-2.

6. ГАБАРИТЫ



	A [мм]	B [мм]
SLIM-N/W/E-100	946	1000
SLIM-N/W/E-150	1446	1500
SLIM-N/W/E-200	1946	2000

7. УСТАНОВКА

Воздушные завесы должны быть установлены как можно ближе к проему двери и перекрывать:

- полную ширину (относится к горизонтальной установке),
- полную высоту (относится к вертикальной установке).



РИС. 7.1 ПРАВИЛЬНАЯ ГОРИЗОНТАЛЬНАЯ УСТАНОВКА.

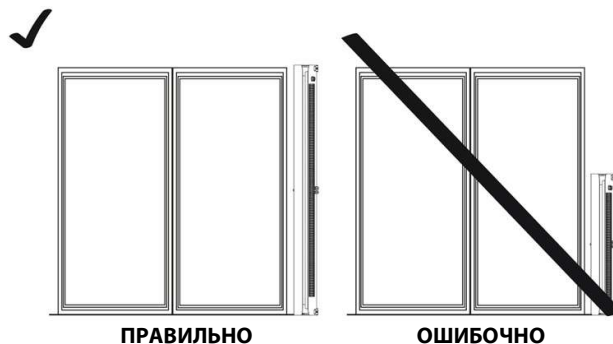


РИС. 7.2 ПРАВИЛЬНАЯ ВЕРТИКАЛЬНАЯ УСТАНОВКА.

8. УСТАНОВКА - РЕКОМЕНДУЕМЫЕ РАССТОЯНИЯ

Завесы Slim адаптированы для горизонтального монтажа с использованием 2-х специальных кронштейнов или 4-х шпилек М8 с резьбой. Также возможно установить завесу вертикально с помощью 2 кронштейнов. Во время монтажа аппарата следует содержать минимальные расстояния от перегородок, как показано на рисунке ниже. Кроме того, при установке завесы следует учитывать свободный доступ к сторонам устройства (требуется минимум 100 мм). Электрическую завесу (SLIM E) нельзя устанавливать непосредственно под розеткой/электрическим щитом. Перед вводом в эксплуатацию устройство необходимо выровнять.

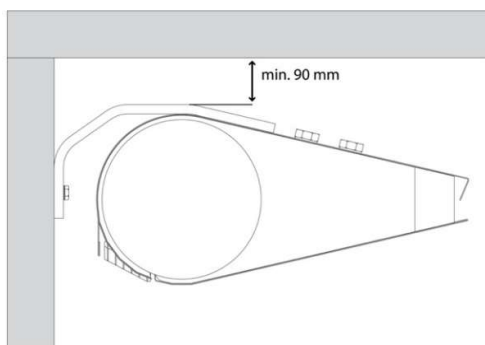


РИС. 8.1 ГОРИЗОНТАЛЬНАЯ УСТАНОВКА С ПОМОЩЬЮ 2-х КРОНШТЕЙНОВ

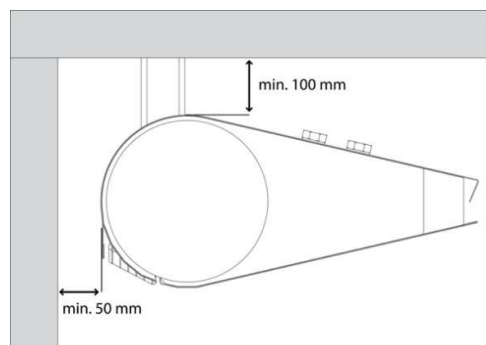


РИС. 8.2 ГОРИЗОНТАЛЬНАЯ УСТАНОВКА С ПОМОЩЬЮ 4-х РЕЗЬБОВЫХ ШПИЛЕК М8

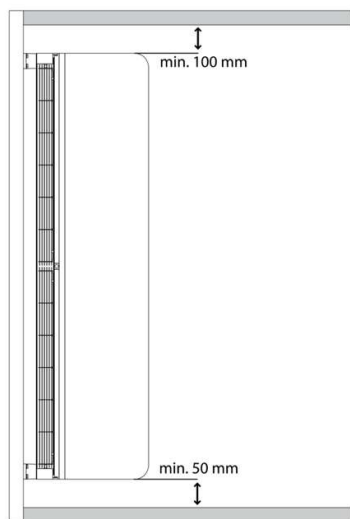


РИС. 8.3 ВЕРТИКАЛЬНАЯ УСТАНОВКА С ПОМОЩЬЮ 2-х КРОНШТЕЙНОВ

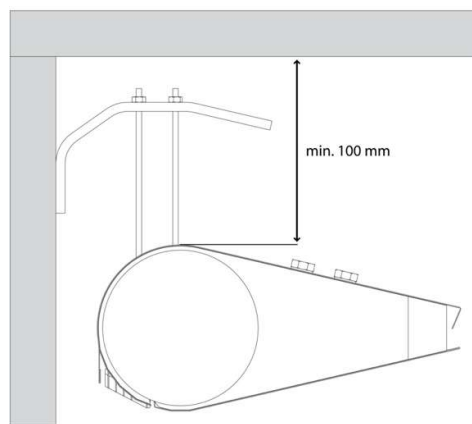
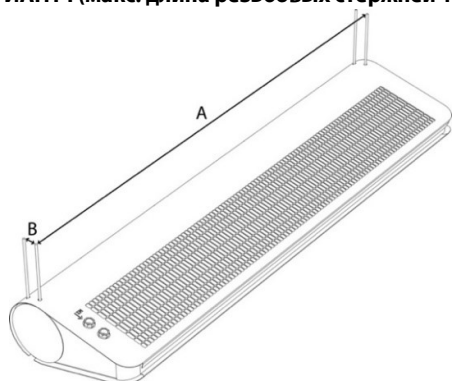


РИС. 8.4 ГОРИЗОНТАЛЬНАЯ УСТАНОВКА С ПОМОЩЬЮ 2-х КРОНШТЕЙНОВ И 4-х РЕЗЬБОВЫХ ШПИЛЕК М8 ШПИЛЕК

9. УСТАНОВКА С ИСПОЛЬЗОВАНИЕМ РЕЗЬБОВЫХ ШПИЛЕК

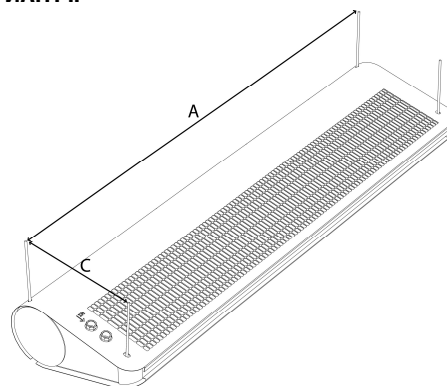
ВАРИАНТ I (макс. длина резьбовых стержней 1 м)



SLIM	Расстояние между шпильками AxB [мм]
N/W/E-100;	946x40
N/W/E-150;	1446x40
N/W/E-200;	1946x40

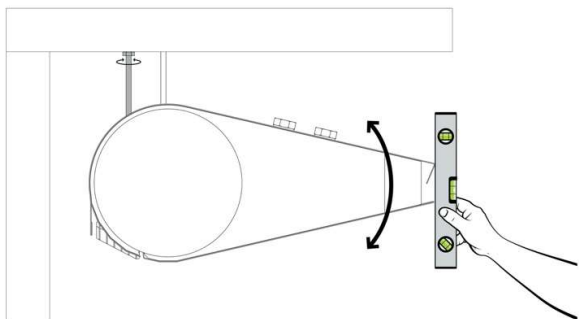
РИС. 9.1 РОССТОЯНИЕ МЕЖДУ ШПИЛЬКАМИ М8.

ВАРИАНТ II



SLIM	Расстояние между шпильками AxС [мм]
N/W/E-100;	946x266
N/W/E-150;	1446x266
N/W/E-200;	1946x266

РИС. 9.2 РОССТОЯНИЕ МЕЖДУ ШПИЛЬКАМИ М8.




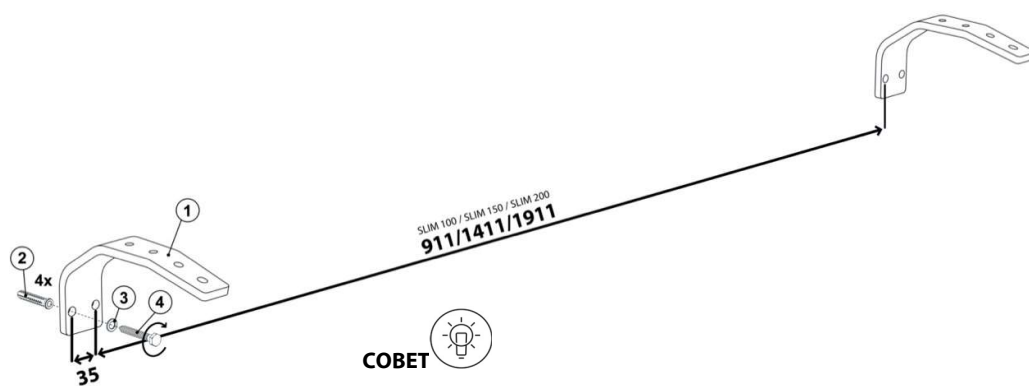
ВНИМАНИЕ  Нужно выполнить натяжение задних шпилек при помощи затяжек.

РИС. 9.3 ВЫРАВНИВАНИЕ И НАТЯЖЕНИЕ УСТРОЙСТВА.

10. УСТАНОВКА С КРОНШТЕЙНАМИ



СОВЕТ

Кронштейны ① крепятся к стене с помощью:

② Дюбель x 4 шт. * - правильно выбран для типа перегородки

③ Шайбы x 4 шт. *

④ Расширительный винт x 4 шт. * - максимальный размер M10

* Не прилагаются

РИС. 10.1 РАССТОЯНИЯ МЕЖДУ МОНТАЖНЫМИ КОНСОЛЯМИ.

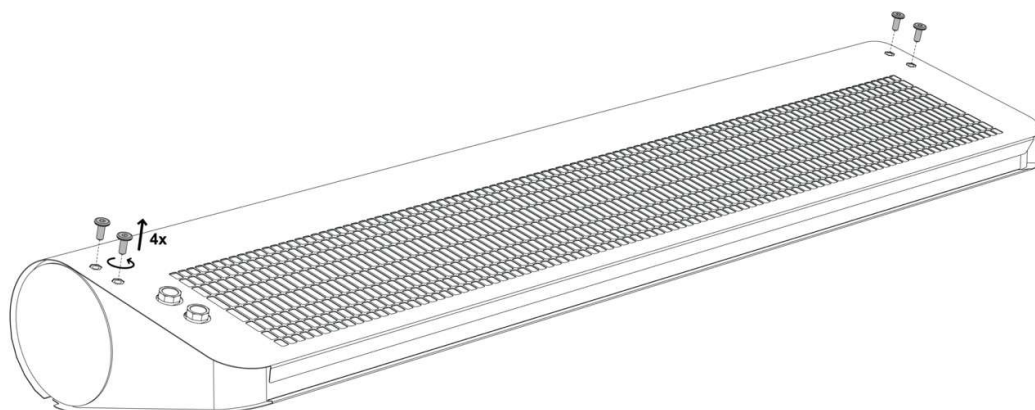


РИС. 10.2 УДАЛЕНИЕ ВИНТОВ ИЗ УСТРОЙСТВА.

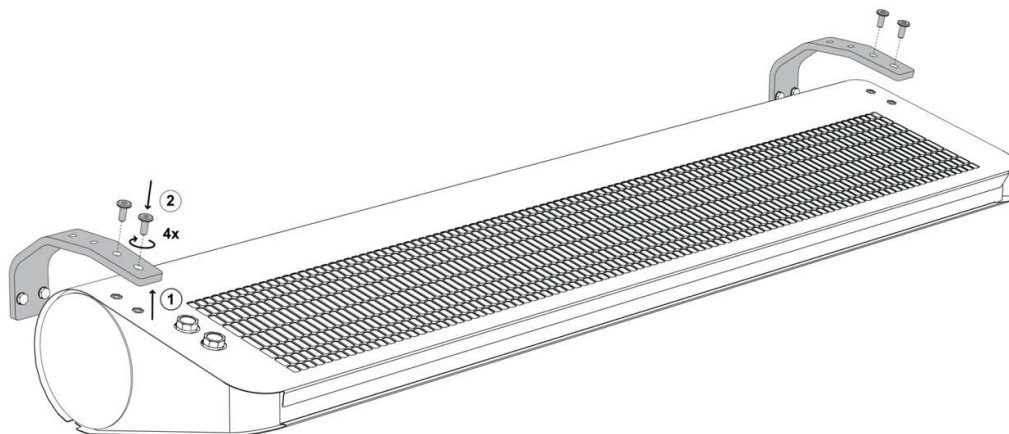
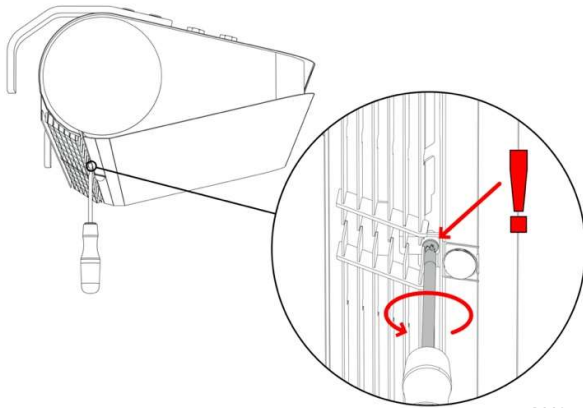


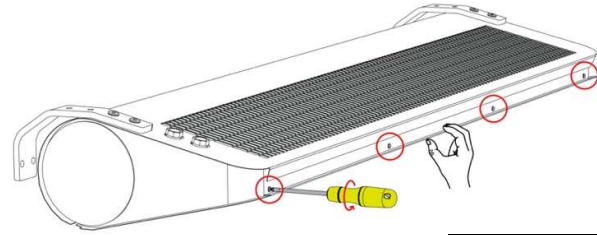
РИС. 10.3 УСТАНОВКА УСТРОЙСТВА С КРОНШТЕЙНОМ ПРИ ПОМОЩИ ВИНТОВ.

11. ЭЛЕКТРИЧЕСКОЕ ПОДКЛЮЧЕНИЕ



x1 PH2

РИС. 11.1 СНЯТИЕ ВИНТА ИЗ РЕШЕТКИ



SLIM-..-100 x3 PH2
SLIM-..-100 x4 PH2
SLIM-..-100 x5 PH2

РИС. 11.2 УДАЛЕНИЕ ВИНТОВ С ПЕРЕДНЕЙ ПАНЕЛИ

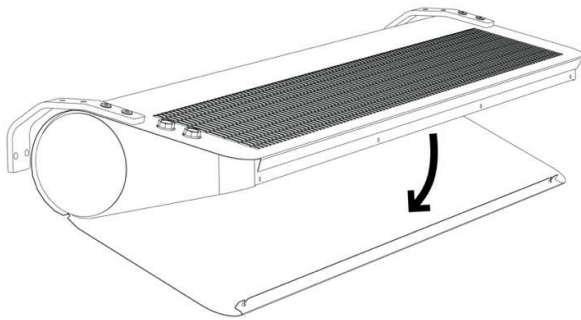


РИС.11.3 ОТКРЫТИЕ НИЖНЕЙ ПАНЕЛИ

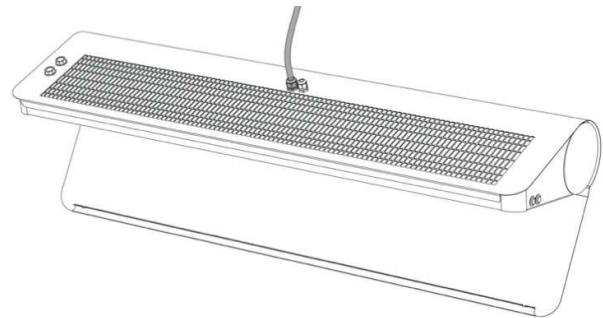


РИС.11.4 ПРОВЕДЕНИЕ ПРОВОДА ЧЕРЕЗ ОТВЕРСТИЕ

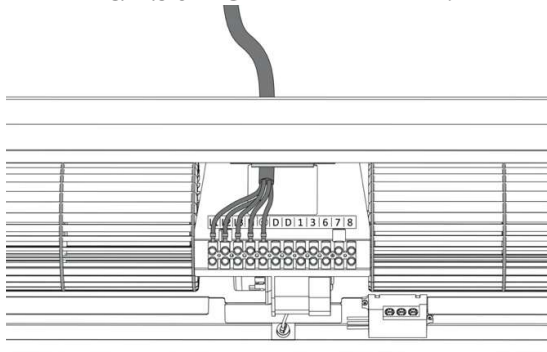


РИС. 11.5 ПОДКЛЮЧЕНИЕ КАБЕЛЯ К РАЗЪЕМУ.



СОВЕТ

Провод питания может быть прикреплен к корпусу с помощью прилагаемых держателей

РИС. 11.6 ПРОКЛАДКА КАБЕЛЯ ВОКРУГ КОРПУСА



ВНИМАНИЕ

1. Подключение питания должно быть выполнено в соответствии с технической документацией. Монтаж оборудования всегда должен быть выполнен в соответствии с действующими местными стандартами безопасности.
2. Сечение и тип провода должен быть подобран проектировщиком. Всегда убедитесь, что разъединители и защитные выключатели имеют соответствующие размеры.
3. Убедитесь, что блок питания и контроллеры подключены к завесе Slim согласно электрическим характеристикам и с инструкциями, включенными в схемы подключения в документации технической поддержки.
4. Перед подключением источника питания убедитесь, что напряжение сети соответствует напряжению на паспортной табличке аппарата.
5. Проверьте подключение питания перед включением воздушной завесы.
6. Запуск устройства без подключения заземляющего провода не допускается.
7. Защитите шнур питания от вытягивания, зажав сальник PG11 или PG16.
8. Правильно затяните все соединительные кабели в блоке.
9. В случае опасности из-за непреднамеренного сброса автоматического выключателя завеса SLIM-E не должна питаться от внешнего соединительного устройства например, таймера и не должна быть подключенной к цепи, которая регулярно выключается и включается во время использования.

12. БОРТОВОЕ УПРАВЛЕНИЕ

Завеса имеет встроенную систему автоматики, которая позволяет автоматически работать согласно сигналу от датчика движения. Устройство имеет переключатель скорости (1-я скорость; ВЫКЛ; 3-я скорость) и переключатель степени работы нагревательных элементов или открытия клапана (ВКЛ; ВЫКЛ). Переключатели расположены на правой стороне устройства и требуют свободного доступа. Устройство запускается автоматически при обнаружении движения в зоне датчика.

БОРТОВОЕ УПРАВЛЕНИЕ: С:2000 lux; В:10 s; А:6 m; переключатель степени обогрева, нижняя позиция 0; переключатель скорости, средняя позиция 0.

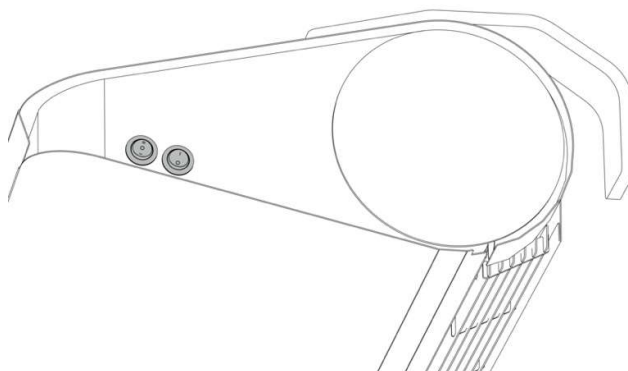


РИС. 12.1 ФУНКЦИИ ВСТРОЕННЫХ ПЕРЕКЛЮЧАТЕЛЕЙ



II – 3-я скорость вентилятора
0 – выключение аппарата, т.е. вентилятора и обогрева
I – 1-я скорость вентилятора



I – нагревательный элемент (SLIM-E)/клапан (SLIM-W) включен
0 – нагревательный элемент (SLIM-E)/клапан (SLIM-W) выключен



СОВЕТ
включение отопления сигнализируется с помощью красной подсветки переключателя.

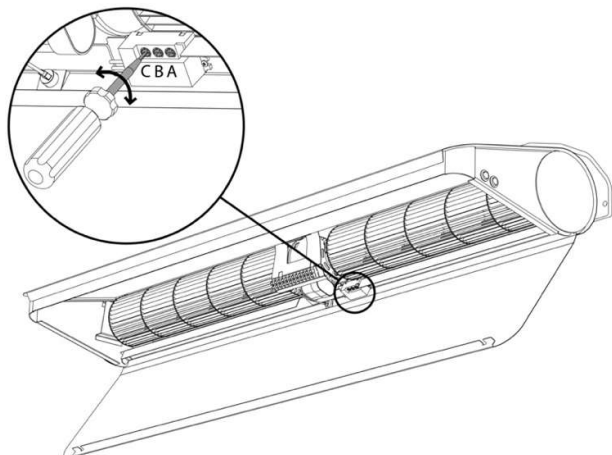


РИС. 12.2 РЕГУЛИРОВКА ПАРАМЕТРОВ ДАТЧИКОВ ДВИЖЕНИЯ

С – светочувствительность; диапазон [10 lux...2000 lux]
В – задержка выключения; диапазон [10 s...420 s]
А – регулировка диапазона датчика движения [2-6 m]



СОВЕТ
Если зона обнаружения слишком велика, в первую очередь необходимо отрегулировать диапазон работы датчика (РИС. 12.3.)

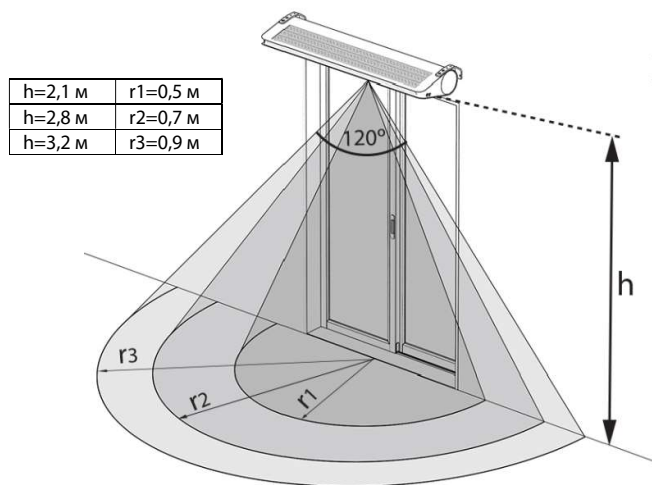


РИС. 12.3 ОБЛАСТЬ РАБОТЫ ДАТЧИКОВ ДВИЖЕНИЯ.

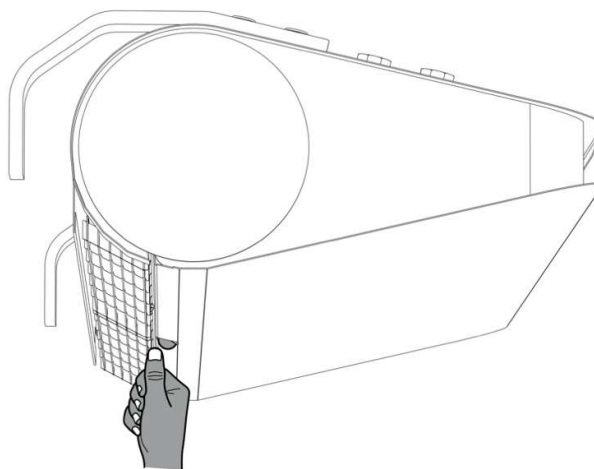


РИС. 12.4 СМЕНА ЗОНЫ РАБОТЫ ДАТЧИКА ДВИЖЕНИЯ

13. БОРТОВОЕ УПРАВЛЕНИЕ - БЛОК-СХЕМА ПОДКЛЮЧЕНИЯ SLIM E;

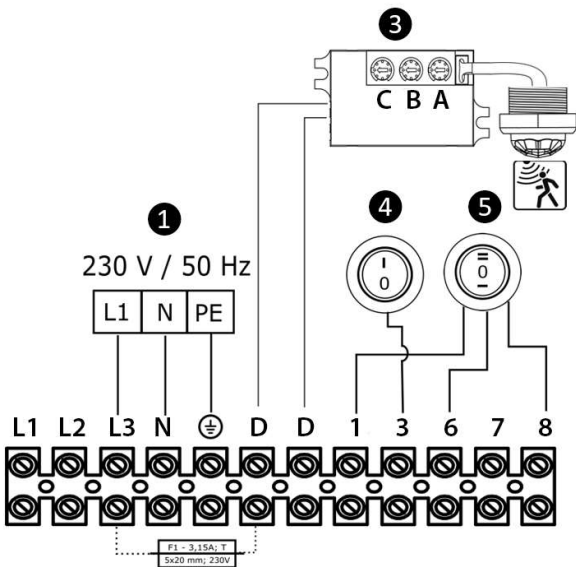


СХЕМА 13.1 ПИТАНИЕ 1N ~ 230В/50Гц

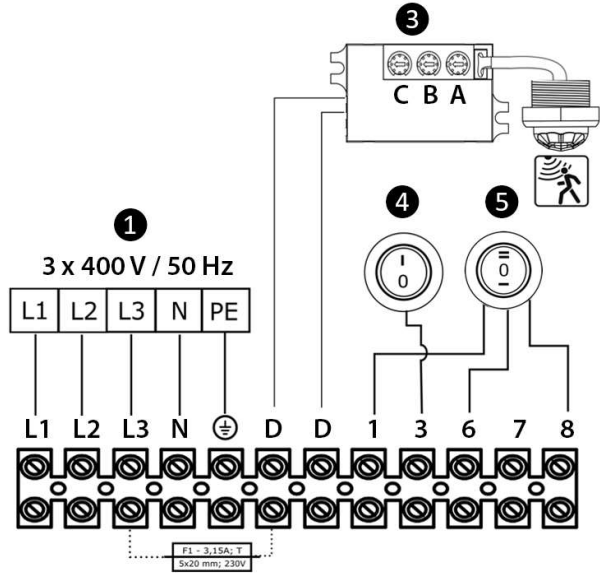


СХЕМА 13.2 ПИТАНИЕ 3N ~ 400В/50Гц

1 Питание:

1N ~ 230В/50Гц:

- SLIM E-100 (ОМУ мин.3x1,5 мм²; предохранитель В10)
- SLIM E-150 (ОМУ мин.3x1,5 мм²; предохранитель В16)
- SLIM E-200 (ОМУ мин.3x2,5 мм²; предохранитель В20)

3N ~ 400В/50Гц:

- SLIM E-100 (ОМУ мин.5x2,5 мм²; предохранитель В16)
- SLIM E-150 (ОМУ мин.5x2,5 мм²; предохранитель В20)
- SLIM E-200 (ОМУ мин.5x4,0 мм²; предохранитель В25)



- максимальный наружный диаметр оболочки кабеля составляет 14,0 мм;
- минимальный наружный диаметр оболочки составляет 4,0 мм;
- максимальное сечение провода составляет 4,0 мм².

3 датчик движения; для его отключения, следует отсоединить и изолировать / закреплять провода от разъемов D; D, заменяется кабельной перемычкой в этом месте (ОМУ мин. 1x1,0 мм²) или дверным датчиком (ОМУ мин. 2x1,0 мм²);

4 Переключатель нагрева (I - нагревательные элементы включены, 0 - нагревательные элементы выключены);

5 Переключатель скорости (I - 1 скорость вентилятора, 0 - аппарат выключен, II - 3 скорость вентилятора).



- 1) Чтобы подключить 2-ую скорость вентилятора, подключите провод от разъема б к разъему 7. В таком случае положение I на переключателе будет означать включение 2-й скорости вентилятора.
- 2) Каждый раз, когда завеса включается с помощью датчика движения, она работает в течение установленного времени (по умолчанию 10 с), если движение не обнаружено в зоне покрытой датчиком.
- 3) Завеса запускается автоматически при обнаружении движения в зоне датчика и работает в соответствии с настройками, выбранными на переключателях.



Это устройство не должно быть подключено к питанию от внешних соединительных устройств (реле времени или разъединителя), которые регулярно выключаются и включаются во время своей работы. Иначе это может вызвать опасность в момент случайного выключения термовыключателя

14. БОРТОВОЕ УПРАВЛЕНИЕ - БЛОК-СХЕМА ПОДКЛЮЧЕНИЯ SLIM W; SLIM N;

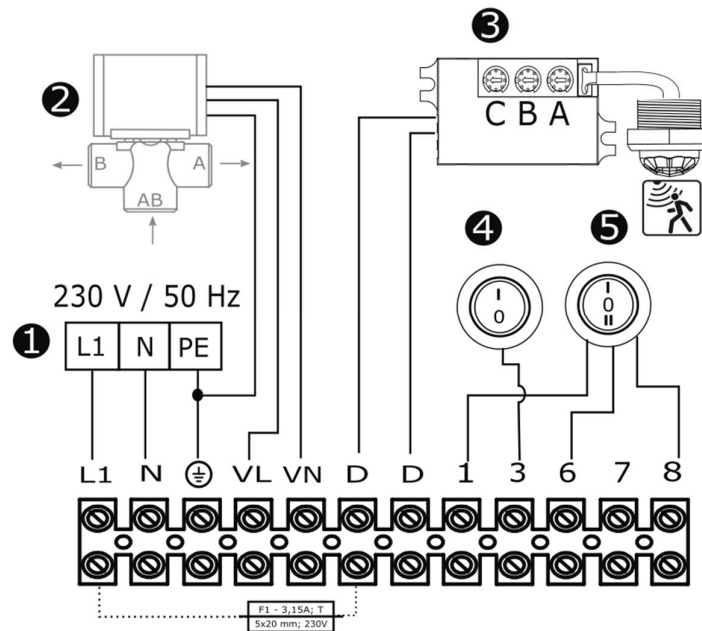


СХЕМА 14.1 ПИТАНИЕ 1N ~ 230В/50Гц

- ❶ Питание 1N~230В/50Гц (ОМУ мин.3х1,5 мм²; предохранитель В4)
- ❷ SRQ3d ½"; SRQ2d ½" клапан с сервоприводом (ОМУ мин.3х0,75 мм²)



СОВЕТ

- максимальный наружный диаметр оболочки кабеля составляет 14,0 мм;
- минимальный наружный диаметр оболочки составляет 4,0 мм;
- максимальное сечение провода составляет 4,0 мм².

- ❸ датчик движения; для его отключения, следует отсоединить и изолировать / закреплять провода от разъемов D; D, заменяется кабельной перемычкой в этом месте (ОМУ мин. 1х1,0 мм²) или дверным датчиком (ОМУ мин. 2х1,0 мм²);
- ❹ Переключатель нагрева (I - нагревательные элементы включены, 0 - нагревательные элементы выключены);
- ❺ Переключатель скорости (I - 1 скорость вентилятора, 0 - аппарат выключен, II - 3 скорость вентилятора).



СОВЕТ

- 1) Чтобы подключить 2-ую скорость вентилятора, подключите провод от разъема 6 к разъему 7. В таком случае положение I на переключателе будет означать включение 2-й скорости вентилятора.

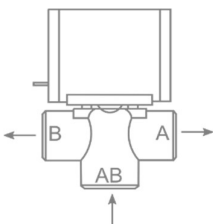


ВНИМАНИЕ

- 2) Каждый раз, когда завеса включается через датчик движения, она работает в течение установленного времени (по умолчанию 10 с), если движение не обнаружено в зоне, покрытой датчиком.
- 3) Завеса запускается автоматически при обнаружении движения в зоне датчика и работает в соответствии с настройками, выбранными на переключателях.

ПАРАМЕТРЫ КЛАПАНОВ SRQ:

- SRQ3d ½" – Трехходовой клапан ½" с сервоприводом
- SRQ2d ½" – Двухходовой клапан ½" с сервоприводом



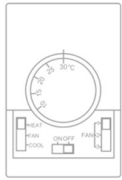
Степень защиты: IP20
 Напряжение питания: 200-240 В 50/60 Гц
 Макс. температура теплоносителя: +93°C
 Макс. рабочее давление: 2,1 МПа
SRQ2d ½" Kvs: 3,0 м³/ч
SRQ3d ½" Kvs: 3,4 м³/ч
 Время открытия: 18 с

A – подача теплоносителя на обратке
 AB – подача теплоносителя на клапан
 B – подача теплоносителя на завесу

15. УПРАВЛЕНИЕ - ДОПОЛНИТЕЛЬНЫЕ ЭЛЕМЕНТЫ

КОНТРОЛЛЕР TS

TS - Комнатный термостат со встроенным трехступенчатым переключателем скорости



Диапазон настройки температуры: +10 ... +30°C
 Диапазон рабочей температуры: 0 ... +40°C
 Степень защиты: IP30
 Нагрузочная способность контактов: индуктивная 5 А
 Напряжение питания: 230 В / 50 Гц

FAN AUTO – работа вентилятора в зависимости от темп.
 FAN CONT – постоянная работа вентилятора (не зависит от темп.)
 HEAT – режим отопления
 FAN – для FAN CONT - дезактивация термостата
 COOL – реверсивная логика работы термостата

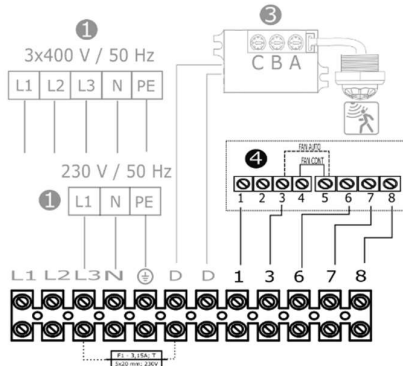


СХЕМА 15.1. SLIM-E + TS

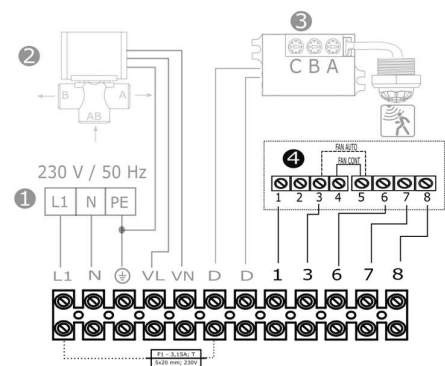


СХЕМА 15.2. SLIM-W/N + TS

- 1 2 3 Схема подключения остальных элементов вместе с описанием проводов и защит находится в главе 11 и 12
- 4 Комнатный термостат со встроенным трехступенчатым переключателем скорости (ОМУ мин. 5x1,0 мм²).



СОБЕТ

Завеса запускается автоматически при обнаружении движения в зоне датчика и работает с настройками, выбранными на контроллере TS. Для работы только с контроллером TS необходимо сделать перемычку между разъемами D; D; - см. 3 Главы 13 и 14



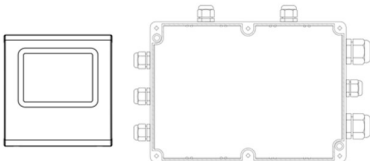
ВНИМАНИЕ

В случае подключения контроллера TS к завесе, провода от разъемов 1; 3; 6; 8 следует отсоединить и заизолировать / закрепить. В этом случае отключаются встроенные кнопки.

КОНТРОЛЛЕР T-box/T-box Zone + DRV Slim

(Подключение BMS)

T-box / T-box Zone + DRV Slim – инновационный контроллер с сенсорным экраном



T-box/T-box Zone
 Диапазон регулировки темп : +5...+45°C
 Диапазон рабочей темп: -10...+60°C
 Степень защиты: IP30
 Напряжение питания: 230 В / 50 Гц

DRV Slim:
 Диапазон рабочей темп: -10...+60°C
 Степень защиты: IP54
 Напряжение питания: 24 VDC

Схема подключения находится в технической документации DRV Slim



СОБЕТ

При работе с коммутационным промышленным контроллером, тип DRV Slim со встроенным датчиком движения следует использовать завесу **AS**:

SLIM-N / W / E-100/150/200 / AS

Схемы подключения можно найти в документации коммутационного промышленного контроллера, тип DRV Slim.



ВНИМАНИЕ

В случае подключения коммутационного промышленного контроллера, тип DRV Slim к завесе, провода разъемов 1; 3; 6; 8 следует отсоединить и заизолировать / закрепить. В этом случае отключаются встроенные кнопки.

Провода разъемов D; D следует отключать и изолировать только тогда, когда завеса взаимодействует с коммутационным промышленным контроллером, тип DRV Slim со встроенным датчиком движения. В этом случае завеса работает по логике, заложенной в DRV Slim.

16. РЕГУЛИРОВКА ВЫХОДНОЙ РЕШЕТКИ

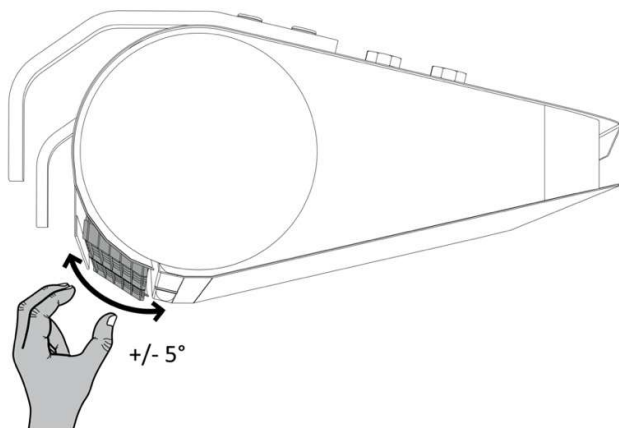


РИС. 16.1 ИЗМЕНЕНИЕ УГЛА ПОТОКА ВОЗДУХА.

Устройство оснащено двумя независимо регулируемые решетки. Угол должен быть установлен вручную в пределах +/- 5°.

Поток воздуха из выходной решетки должен быть ориентирован как можно ближе к плоскости открывания двери (с учетом условий, преобладающих при открытии двери).



СОВЕТ

Для того, чтобы повысить эффективность воздушного барьера при ветровом давлении, поток воздуха завесы должен быть направлен наружу, чтобы создать устойчивость к внешним факторам.

17. ПОДКЛЮЧЕНИЕ ГИДРАВЛИЧЕСКОЙ СИСТЕМЫ

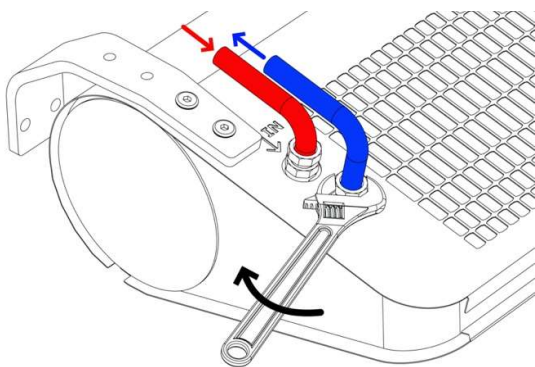


РИС. 17.1 ПОДКЛЮЧЕНИЕ ТЕПЛОНОСИТЕЛЯ.

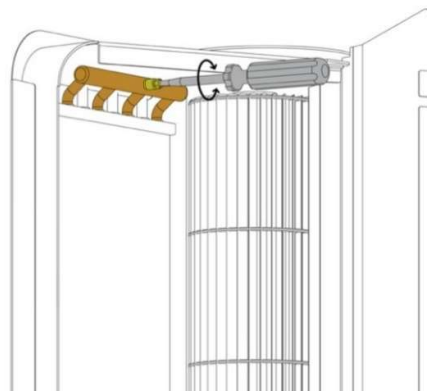


РИС. 17.2 ВСТРОЕННЫЙ КЛАПАН.

ВНИМАНИЕ

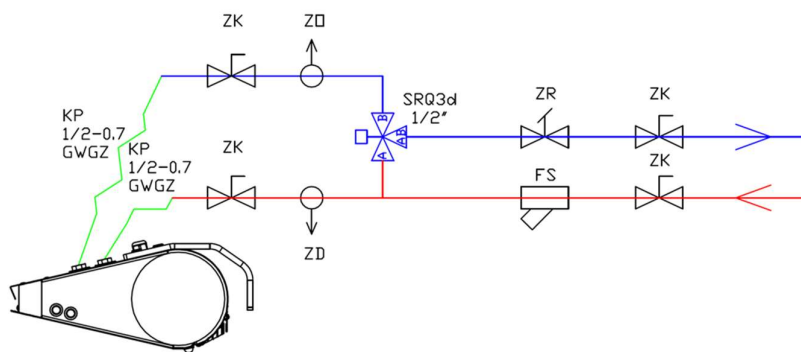


1. Отключите питание завесы перед подключением теплоносителя.
2. Соединение должно быть выполнено без напряжения. Рекомендуется применить гибкие подводки для подключения теплоносителя.
3. Водоснабжение должно быть подключено к разъему, обозначенному символом ↓ IN.
4. Установка с теплоносителем должна быть защищена от повышения среднего давления нагрева выше допустимого значения (1,6 МПа).
5. Перед запуском устройства проверьте правильность подключения проводов с теплоносителем и герметичность установки.
6. При сборке установки необходимо закрепить соединительные патрубки теплообменника.
7. После заполнения системы теплоносителем, проверьте герметичность гидравлических соединений, в том числе встроенного клапана.

СОВЕТ



1. Рекомендуется использовать воздухоотводчики в самой высокой точке установки. Для вертикальной установки устройства, вентиляция должна осуществляться с помощью встроенного клапана (рис.17.2), при этом защищая другие элементы устройства от затопления.
2. В случае, если вода из устройства сливается в течение более длительного периода времени, трубки теплообменника продуйте сжатым воздухом.
4. Установка должна быть выполнена таким образом, чтобы в случае аварии, можно было демонтировать устройство (рекомендуется использование гибких подводков). Для этого примените
5. запорную арматуру прямо на устройстве. (Рис. 17.3)



ZK – запорный клапан
 ZO – воздухоотводчик
 ZR – балансировочный клапан
 ZD – дренажный капан
 FS – сетчатый фильтр
 KP – гибкие шланги

РИС. 17.3 ПРИМЕР СИСТЕМЫ СОЕДИНЕНИЯ ГИДРАВЛИЧЕСКИХ ЭЛЕМЕНТОВ.

18. ПАРАМЕТРЫ ТЕПЛОНОСИТЕЛЯ

В водяной теплообменник можно подать воду или раствор гликоля до 60%. Трубки теплообменника изготовлены из меди. Теплоноситель не должен вызывать коррозию этого материала. В частности, рекомендуется применить параметры, указанные ниже.

Параметр	Значение
pH	7,5-9,0
Содержание примесей	без отложений / частиц
Общая жесткость	[Ca ²⁺ ,Mg ²⁺] / [HCO ₃ ⁻] > 0,5
Масло и смазка	<1 мг / л
Кислород	<0,1 мг / л
Бикарбонат, HCO ³	60-300 мг / л
Аммоний	<1,0 мг / л
Сульфид	<0,05 мг / л
Хлорид, Cl	<100 мг / л

19. УСТАНОВКА ФИЛЬТРА

Завесы Slim в версиях N и W адаптированы для работы с внешним фильтром COARSE 30%, установленным на верхней части аппарата. Фильтр следует периодически менять, в зависимости от степени загрязнения. При замене фильтра следует ослабить зажим, а затем перевернуть его.

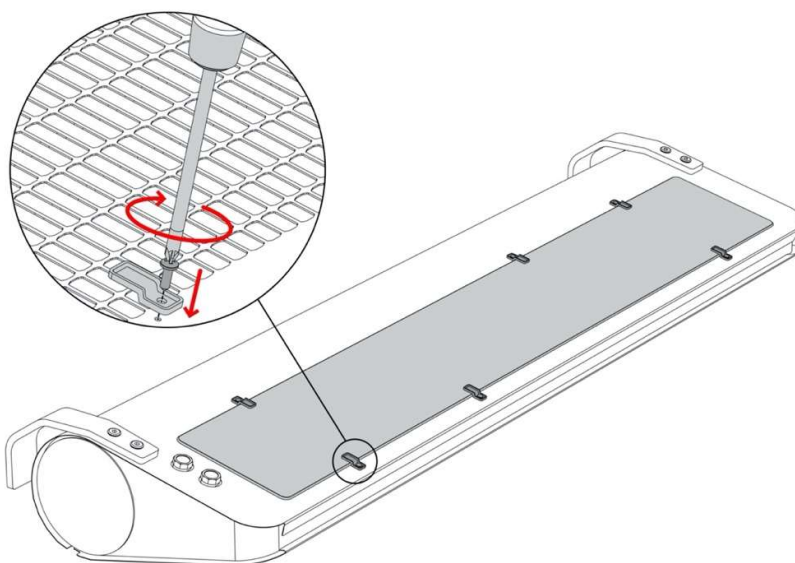


РИС. 19.1 УСТАНОВКА И ЗАМЕНА ФИЛЬТРА

20. ЭКСПЛУАТАЦИЯ

ВНИМАНИЕ



1. Устройство должно периодически проверяться. Эти действия должен выполнять только квалифицированный персонал. Если устройство не работает должным образом, немедленно выключите его и обратитесь в службу поддержки FLOWAIR.
2. Не пытайтесь ремонтировать, перемещать, модифицировать или переустанавливать устройства. Выполнение этих действий неуполномоченным персоналом может быть причиной поражения электрическим током или пожара.
3. Не используйте поврежденное устройство. Производитель не несет ответственности за ущерб, вызванный при использовании поврежденным устройством.
4. Устройство предназначено для использования в помещении при температуре выше 0°C. При температурах ниже 0°C существует опасность замерзания теплоносителя. Производитель не несет ответственности за повреждения, вызванные замерзанием теплоносителя в теплообменнике.

СОВЕТ



1. Нагревательные элементы оснащены термозащитой, которая в случае слишком высокой температуры окружающей среды отключит систему отопления. Отопление можно снова включить после понижения температуры или:
 - a) ручного сброса путем включения и выключения обогрева с помощью встроенной кнопки или внешнего контроллера.
 - b) автоматического сброса при обнаружении движения в пределах диапазона датчика. Если отопление отключается повторно, обратитесь в квалифицированный сервисный центр.
2. В случае завес с водяным теплообменником когда вода из устройства сливается на длительный период времени, трубки теплообменника должны быть продуты сжатым воздухом.

21. ОЧИСТКА И ОБСЛУЖИВАНИЕ

Периодически нужно проверять (мин. 2 раза в год) загрязнение теплообменника (SLIM-W) и состояние нагревательных элементов (SLIM-E). Засорение воздухозаборной части приводит к снижению мощности нагрева устройства и отрицательно влияет на работу работы вентилятора, а также может вызвать постоянную потерю параметров.

СОВЕТ



Теплообменник следует очищать в соответствии с приведенными ниже инструкциями:

- Источник питания должен быть отключен во время очистки.
- Откройте сервисную крышку.
- При очистке теплообменника будьте осторожны, чтобы не погнуть алюминиевые ребра.
- Не рекомендуется использовать острые предметы для очистки из-за возможности повреждения пластин.
- Рекомендуется очистка сжатым воздухом.
- Обменник нельзя мыть водой!
- Очистка должна проводиться вдоль ламель

22. СООТВЕТСТВИЕ ДИРЕКТИВЕ 2009/125/ЕС

	SLIM-100	SLIM-150	SLIM-200
1.	Не касается, мощность в оптимальной точке энергоэффективности <0,125 кВт	17,2	17,1
2.		B	B
3.		полная	
4.		21	21
5.		VSD - отсутствует	
6.		2020	2020
7.		FLOWAIR Sp. z O.O., 0000998741, Polska	
8.			
9.		0,139 кВт, 1242 м³/ч, 58 Па	0,197 кВт, 2167 м³/ч, 56 Па
10.		1288 RPM	1298 RPM
11.		1,0	1,0
12.		Демонтаж устройства должен выполняться квалифицированным персоналом, ознакомленным с документацией по данному устройству. Чтобы утилизировать устройство, обратитесь к главе: СООТВЕТСТВИЕ ДИРЕКТИВЕ WEEE 2012/19/ЕС	
13.		Срок службы устройства зависит от соблюдения указаний, содержащихся в этой документации, особенно обозначенных как ОБРАТИТЕ ВНИМАНИЕ и ПРЕДУПРЕЖДЕНИЯ	
14.		Корпус аппарата	

23. СООТВЕТСТВИЕ ДИРЕКТИВЕ WEEE 2012/19/ЕС

Ведение бизнеса без ущерба для окружающей среды и соблюдение правил обращения с отходами электрического и электронного оборудования является приоритетом компании FLOWAIR. Символ перечеркнутой мусорной корзины, размещенный на оборудовании, упаковке или прилагаемых документах, означает что продукт нельзя выбрасывать вместе с другими отходами. Пользователь несет ответственность за передачу использованного оборудования в назначенный пункт сбора для надлежащей обработки. Кроме того, символ означает, что оборудование появилось на рынке после 13 августа 2005 года.



Для получения информации о системе сбора отходов электрического и электронного оборудования свяжитесь с дистрибьютором.

ПОМНИТЕ:

Не выбрасывайте использованное оборудование вместе с другими отходами! Такое поведение может привести к штрафам. Правильное обращение с использованным оборудованием предотвращает возможные негативные последствия для окружающей среды и здоровья человека. Мы повторно используем материалы, полученные в результате обработки оборудования и экономим природные ресурсы Земли.

24. СЕРВИСНОЕ И ГАРАНТИЙНОЕ ОБСЛУЖИВАНИЕ

Условия гарантии и ее ограничения доступны у локального дистрибьютора.

В случае неисправностей в работе аппарата просим обращаться к авторизованному сервису производителя.

За эксплуатацию аппарата способами, не соответствующими его назначению, лицами, не имеющими соответственного разрешения, а также за недостатки или ущерб, возникшие на основании этого, производитель не несет ответственности!

Произведено в Польше
Made in EU

Производитель: FLOWAIR SP. Z O.O.
ul. Chwaszczyńska 135, 81-571 Gdynia
e-mail: info@flowair.pl
www.flowair.com

1. BELANGRIJKE INFORMATIE

Wij hebben alles in het werk gesteld om deze handleiding zo begrijpelijk mogelijk te maken. Mocht u echter moeilijkheden, problemen of vragen hebben, neem dan contact op met FLOWAIR Support op: info@drl-products.nl

Bezoek ook onze website www.flowair.nl voor montagetips.

In deze handleiding vindt u belangrijke veiligheidsinformatie en tips, die u als volgt kunt herkennen:

WAARSCHUWING



Gevaarlijke praktijken die kunnen leiden tot ernstig letsel of overlijden. Lees vóór aanvang van de werkzaamheden alle waarschuwingen door.

LET OP



Onveilige praktijken die, indien niet vermeden, kunnen leiden tot schade aan eigendommen of lichte verwondingen. Lees vóór aanvang van de werkzaamheden alle waarschuwingen door.

TIP



Nuttige tips voor de gebruiker en installateur.

BELANGRIJKE VEILIGHEIDSINFORMATIE:

1. Lees deze handleiding in zijn geheel door alvorens het apparaat te installeren, aan te sluiten, in bedrijf te stellen, te gebruiken en onderhouden.
2. Controleer na ontvangst van het product of het tijdens het vervoer beschadigd is geraakt. Lijkt het product beschadigd, **BEGIN DAN NIET MET DE MONTAGE** maar meld de schade onmiddellijk aan de vervoerder.
3. Het apparaat dient op een stabiele manier en in overeenstemming met de instructies te worden gemonteerd op een toegankelijke plek, zodat reparaties en routineonderhoud kunnen plaatsvinden en het apparaat eenvoudig en veilig kan worden gedemonteerd.
4. De stabiliteit en duurzaamheid van de installatie van het apparaat is afhankelijk van de structuur van het gebouw (met name muren en plafonds). Degene die de montage uitvoert, dient bij de montage rekening te houden met deze omstandigheden.
5. Bewaar de technische documentatie op een veilige plaats die eenvoudig toegankelijk is voor de gebruiker en de onderhoudsmonteur.
6. Het typeplaatje bevindt zich naast de kabelwartels op de bovenzijde van het apparaat.
7. Test altijd de werking van het apparaat na installatie.

TIP



1. De stroom mag uitsluitend door bevoegde personen worden aangesloten.
2. Het apparaat kan automatisch starten (bij waargenomen beweging in het sensorgebied).
3. Het apparaat is niet uitgerust met een thermostaat die de kamertemperatuur regelt. Gebruik het apparaat niet in kleine ruimten waar zich personen bevinden die niet in staat zijn het pand zelfstandig te verlaten. Het bovenstaande geldt niet voor ruimten waar voortdurend toezicht is.
4. Het apparaat vereist periodieke inspecties volgens de aanwijzingen in deze handleiding.
5. Hang niet aan het apparaat en oefen er geen druk op uit.
6. Plaats geen voorwerpen op het apparaat en hang niets aan de aansluitingen.
7. Het apparaat dient buiten bereik van kleine kinderen te worden opgeslagen en gemonteerd.
8. Het apparaat is bestemd voor gebruik binnenshuis met een maximale luchtstofdichtheid van 0,3 g / m³. Het apparaat heeft onderdelen van aluminium, koper en gegalvaniseerd staal en mag niet in een corrosieve omgeving worden gebruikt.
9. Het apparaat mag niet worden gebruikt in een omgeving waar olienevel aanwezig is.
10. Dit apparaat mag worden gebruikt door kinderen van minimaal acht jaar, personen met een fysieke en verstandelijke beperking en personen zonder ervaring met of kennis over dit apparaat, op voorwaarde dat toezicht wordt gehouden of instructies worden gegeven over het juiste en veilige gebruik van dit apparaat en dat de mogelijke gevaren worden begrepen. Het apparaat mag niet als speelgoed worden gebruikt. Kinderen mogen het apparaat niet zonder toezicht reinigen of onderhoud uitvoeren.
11. De elektrische uitvoering van het apparaat (SLIM E) kan de geur van verbrandend stof afgeven bij de eerste keer opstarten of bij het starten na lange stilstand.

LET OP



WAARSCHUWING



1. Het apparaat staat onder gevaarlijk hoge spanning. Koppel het apparaat altijd los van de stroomvoorziening voordat u onderhoud uitvoert of toegang wilt tot de inwendige onderdelen.
2. Steek geen vingers of voorwerpen in het apparaat.
3. Dek het apparaat niet af.

2. ALGEMENE INFORMATIE

Het SLIM luchtgordijn is een hoogwaardig apparaat dat door het creëren van een luchtbarrière het verlies door warmte-uitwisseling vermindert. Het apparaat is UITSLUITEND bedoeld voor gebruik binnenshuis. Het SLIM luchtgordijn is bedoeld voor horizontale installatie boven een deuropening of verticale installatie bij een deuropening met een maximale hoogte van 4,0 m.

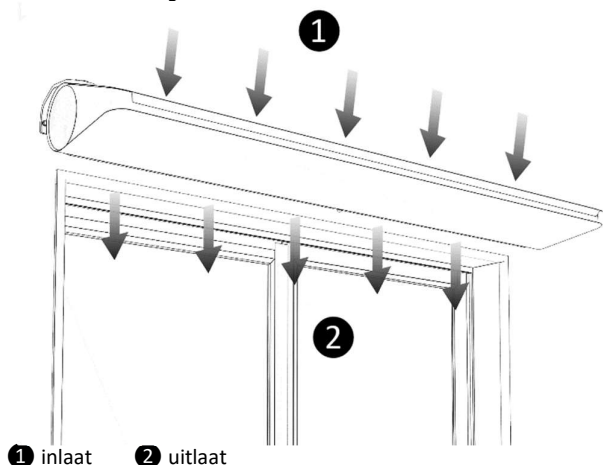
Het luchtgordijn is beschikbaar in een koude/ambient uitvoering (zonder verwarming), met elektrische verwarmers of met een waterwisselaar:

SLIM E-100; SLIM E-150; SLIM E-200 – luchtgordijnen met elektrische verwarmers met een maximaal bereik van 3,5 m *;

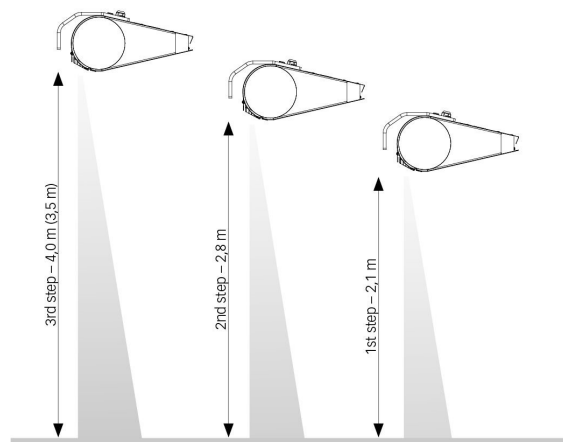
SLIM W-100; SLIM W-150; SLIM W-200 – luchtgordijnen met een waterwarmtewisselaar met een maximaal bereik van 3,5 m *;

SLIM N-100; SLIM N-150; SLIM N-200 - luchtgordijnen zonder waterwisselaar max. stroombereik 4,0 m *.

* in overeenstemming met ISO 27327-1



AFB. 2.1 RICHTING LUCHTSTROOM.



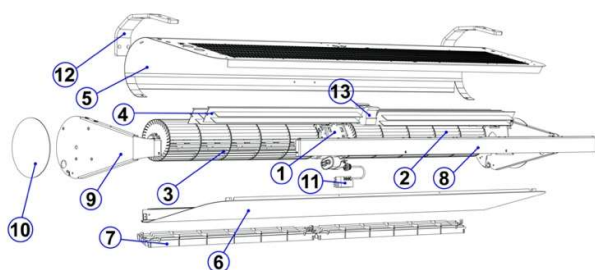
AFB. 2.2 BEREIK LUCHTSTROOM BIJ VERSCHIL. VENTILATORSTANDEN.



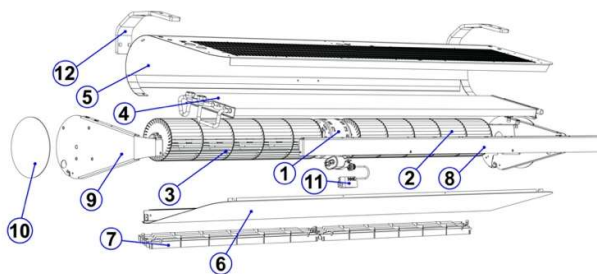
TIP

1. Het gebruik van een verwarmd luchtgordijn (W of E) wordt aanbevolen voor openbare gebouwen.
2. Onderdruk in het gebouw leidt tot aanzienlijke verminderde efficiëntie van de luchtbarrière. Het ventilatiesysteem dient in balans te zijn.
3. Bij een windsnelheid van meer dan 3 m/s dient de verwarmde versie van het luchtgordijn te worden gebruikt voor meer gebruikscomfort.

3. CONSTRUCTIE



AFB. 3.1 CONSTRUCTIE SLIM E.



AFB. 3.2 CONSTRUCTIE SLIM N/W.

1. Motor
2. Rotor rechts
3. Rotor links
4. Elektrische verwarmer
5. Kap boven *
6. Kap onder *
7. Uitlaatgrille
8. Frontstrip *
9. Zijkap *
10. Zijkap *
11. Bewegingssensor
12. Montagebeugel (optioneel element)
13. Schakelaar

1. Motor
2. Rotor rechts
3. Rotor links
4. Warmtewisselaar
5. Kap boven *
6. Kap onder *
7. Uitlaatgrille
8. Frontstrip *
9. Zijkap *
10. Zijkap *
11. Bewegingssensor
12. Montagebeugel (optioneel element)

* Onderdelen behuizing gemaakt van gepoedercoat staal in de kleurconfiguratie RAL 9003 en RAL 9005

4. TECHNISCHE GEGEVENS SLIM N/W

STAND	SLIM N-100			SLIM N-150			SLIM N-200		
	III	II	I	III	II	I	III	II	I
Stroomvoorziening[V/Hz]	1N ~ 230/50								
Energieverbruik [W]	140	100	80	200	120	95	230	150	110
Max. stroomverbruik [A]	0,6	0,4	0,3	0,8	0,5	0,4	1,0	0,6	0,5
Max. luchthoeveelheid [m ³ /h]*	1400	1000	800	2300	1550	1300	3000	1900	1300
Max. luchthoeveelheid met filter (± 30%) [m ³ /h]*	1000	900	750	1600	1350	1200	2200	1800	1250
Max. bereik montagehoogte [m]*	4,0	2,8	2,1	4,0	2,8	2,1	4,0	2,8	2,1
Max. akoestisch drukniveau [dB(A)]** - 3 m	58	50	44	57	46	42	57	42	35
Max. akoestisch drukniveau [dB(A)]** - 5 m	57	49	43	56	45	41	56	41	34
Max. akoestisch geluidsniveau [dB(A)]***	73	65	59	72	61	56	72	57	50
Gewicht [kg]	14,7			19,0			23,8		
IP	20								
Max. werktemperatuur [°C]	50								

STAND	SLIM W-100			SLIM W-150			SLIM W-200		
	III	II	I	III	II	I	III	II	I
Stroomvoorziening[V/Hz]	1N ~ 230/50								
Energieverbruik [W]	115	90	75	165	110	90	230	150	115
Max. stroomverbruik [A]	0,5	0,4	0,3	0,7	0,5	0,4	1,0	0,6	0,5
Max. luchthoeveelheid [m ³ /h]*	1100	900	750	1950	1450	1200	2850	1800	1400
Max. luchthoeveelheid met filter (± 30%) [m ³ /h]*	750	650	600	1300	1100	1000	1900	1600	1350
Max. bereik montagehoogte [m]*	3,5	2,8	2,1	3,5	2,8	2,1	3,5	2,8	2,1
Max. akoestisch drukniveau [dB(A)]** - 3 m	56	51	46	57	49	45	59	46	38
Max. akoestisch drukniveau [dB(A)]** - 5 m	55	50	45	56	48	44	58	45	37
Max. akoestisch geluidsniveau [dB(A)]***	70	66	61	72	64	59	74	61	53
Gewicht unit [kg]	16,2			21,5			26,9		
Gewicht unit gevuld met water [kg]	16,8			22,4			28,1		
IP	20								
Max. werktemperatuur [°C]	50								
Aansluiting ["]	½ binnendraad aansluiting								
Max. bedrijfsdruk [MPa]	1,6								
Max. watertemperatuur [°C]	110								
Min.Max. energieverbruik [kW]****	1,2 – 12,1			2,6 – 21,0			3,7 – 29,3		
Min.Max. temperatuurstijging (ΔT)[°C]****	3,0 – 32,5			4,0 – 32,0			4,0 – 30,5		

* Volgens ISO 27327-1;

** Akoestisch drukvermogen gemeten op een afstand van 5m van de unit in een ruimte met inhoud van 1500 m³ en een gemiddeld vermogen van geluidsabsorptie ± factor: Q=2;

*** Akoestisch geluidsvermogen volgens ISO 27327-2

**** Bereik van verwarmingsvermogens en temperaturen gespecificeerd voor de parameters:

III ventilatorsnelheid, temperatuur verwarmingssysteem 40/30° C inlaattemperatuur 20° C.

III ventilatorsnelheid, temperatuur verwarmingssysteem 110/9° C inlaattemperatuur 0° C.

5. TECHNISCHE GEGEVENS SLIM E

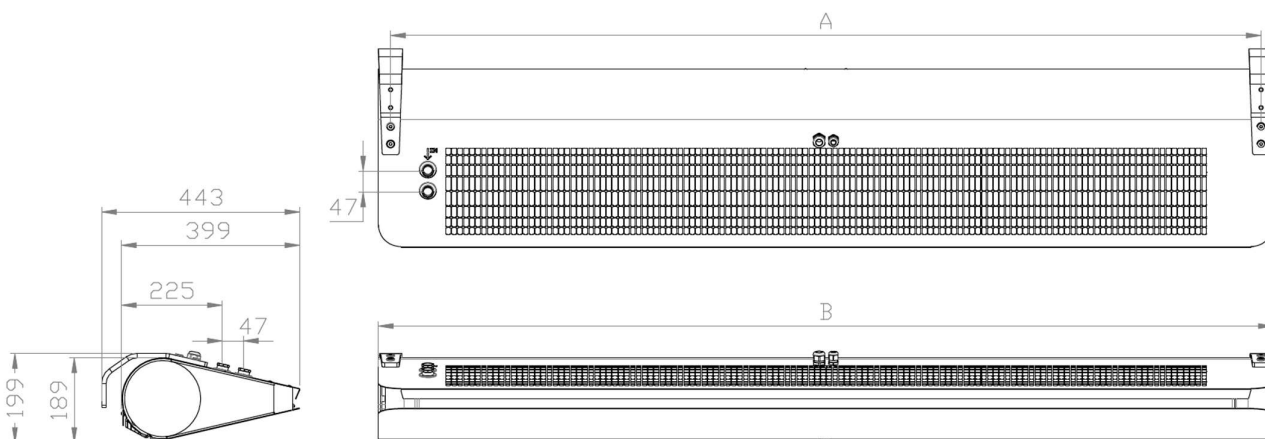
STAND	SLIM E-100			SLIM E-150			SLIM E-200		
	III	II	I	III	II	I	III	II	I
Stroomvoorziening[V/Hz]	3N ~ 400/50 1N ~ 230/50								
Energieverbruik ventilator [W]	130	95	80	195	115	95	230	180	140
Max. stroomverbruik ventilator[A]	0,5	0,4	0,3	0,8	0,5	0,4	1,0	0,8	0,6
Max. luchthoeveelheid [m ³ /h]*	1300	950	800	2200	1500	1250	3000	2500	1900
Max. bereik montagehoogte [m]*	3,5	2,8	2,1	3,5	2,8	2,1	3,5	2,8	2,1
Max. akoestisch drukniveau [dB(A)]** - 3 m	57	49	44	55	46	41	58	44	43
Max. akoestisch drukniveau [dB(A)]** - 5 m	56	48	43	54	45	40	57	43	42
Max. akoestisch geluidsniveau [dB(A)]***	72	64	59	70	61	56	73	67	60
Gewicht unit [kg]	15,1			19,6			24,6		
IP	20								
Max. werktemperatuur [°C]	30								
	3N ~ 400/50								
Max. energieverbruik [kW]	5			9			12		
Max. energieverbruik verwarmingselementen [A]	8,5			13			17,3		
Max. temperatuurstijging (ΔT)[°C]	11	16	19	12	18	21	12	14	19
	1N ~ 230/50								
Max. energieverbruik [kW]	2			3			4		
Max. stroomverbruik [A]	8,5			13			17,3		
Max. temperatuurstijging (ΔT)[°C]	5	6	7	4	6	7	4	5	6

* Volgens ISO 27327-1;

** Akoestisch drukvermogen gemeten op een afstand van 5m van de unit in een ruimte met inhoud van 1500 m³ en een gemiddeld vermogen van geluidsabsorptie ± factor: Q=2;

*** Akoestisch geluidsvermogen volgens ISO 27327-2;

6. AFMETINGEN

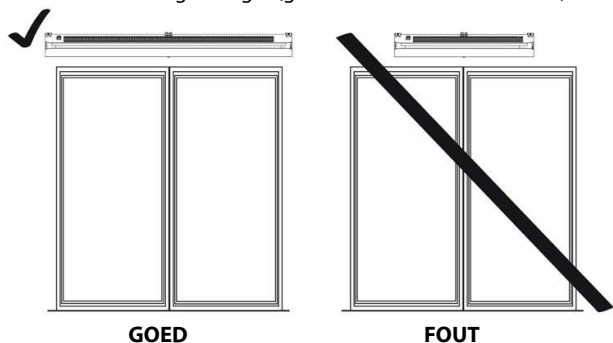


	A [mm]	B [mm]
SLIM N/W/E-100	946	1000
SLIM N/W/E-150	1446	1500
SLIM N/W/E-200	1946	2000

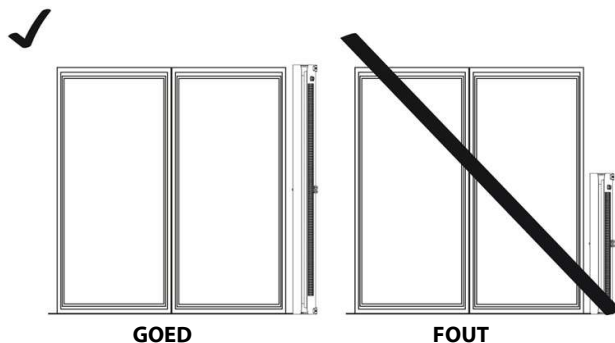
7. INSTALLATIE

Luchtgordijnen dienen zo dicht mogelijk bij de deuropening te worden geplaatst en dienen te bestrijken:

- de volledige breedte (geldt voor horizontale installatie),
- de volledige hoogte (geldt voor verticale installatie).



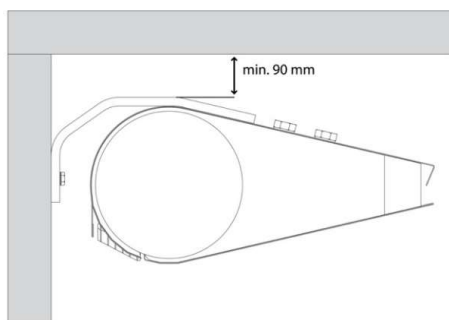
AFB. 7.1 JUISTE HORIZONTALE INSTALLATIE.



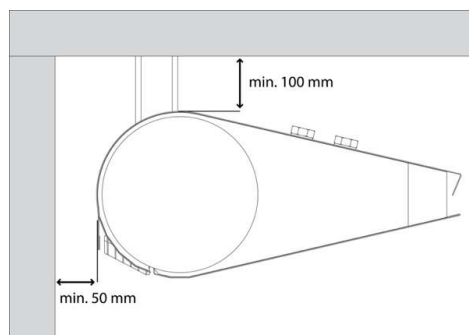
AFB. 7.2 JUISTE VERTICALE INSTALLATIE.

8. MONTAGE - AANBEVOLEN AFSTANDEN

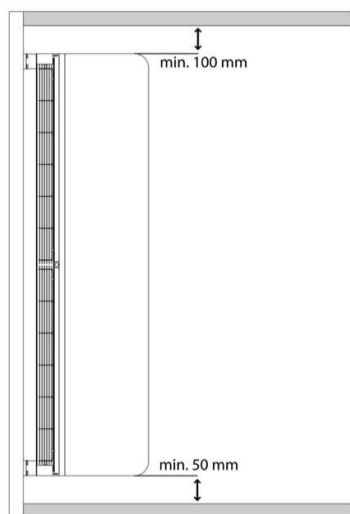
SLIM luchtgordijnen zijn bedoeld voor horizontale montage met twee speciale beugels of vier M8 draadstangen. Het is ook mogelijk om de gordijnen verticaal te monteren met behulp van twee beugels. Houd bij de montage de minimale afstanden tot de scheidingswanden aan, zoals aangegeven in onderstaande figuur. Houd bij de installatie bovendien rekening met de vrije toegang tot de zijkant van het apparaat (minimaal 100 mm). Het elektrische gordijn (SLIM E) mag niet direct onder het stopcontact worden geïnstalleerd. Het apparaat dient vóór gebruik waterpas te worden gehangen.



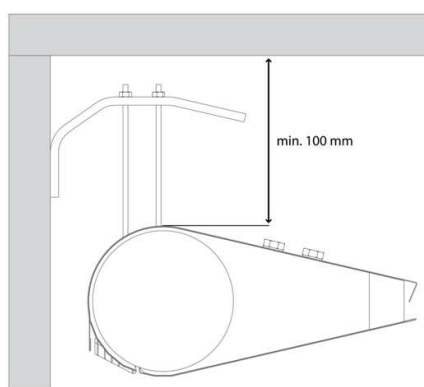
AFB. 8.1 HORIZONTALE INSTALLATIE MET SPECIALE BEUGELS (M8).



AFB. 8.2 HORIZONTALE INSTALLATIE MET VIER DRAADSTANGEN M8.



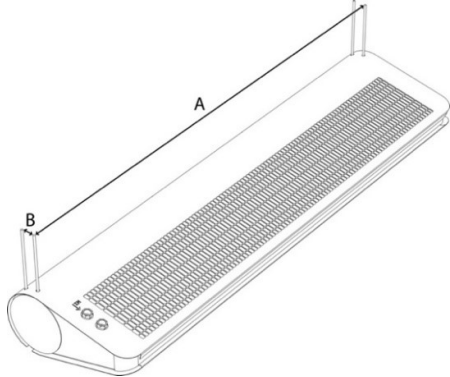
AFB. 8.3 VERTICALE MONTAGE MET TWEE SPECIALE BEUGELS.



AFB. 8.4 HORIZONTALE INSTALLATIE MET VIER DRAADSTANGEN M8 MET TWEE SPECIALE BEUGELS.

9. MONTAGE - PLAFONDMONTAGE MET DRAADSTANGEN

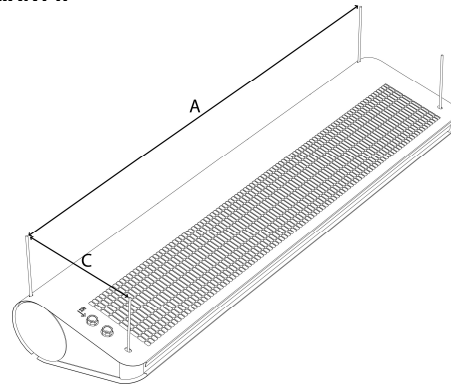
VARIANT I (maximaal draadstangen lengte 1 m)



SLIM	Afstand draadstangen Ax B [mm]
N/W/E-100;	946x40
N/W/E-150;	1446x40
N/W/E-200;	1946x40

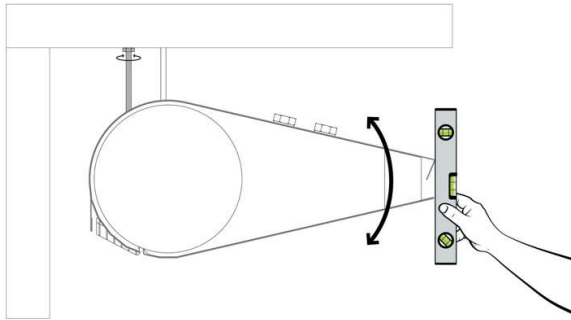
AFB 9.1 AFSTAND DRAADSTANGEN.


VARIANT II



SLIM	Afstand draadstangen Ax B [mm]
N/W/E-100;	946x266
N/W/E-150;	1446x266
N/W/E-200;	1946x266

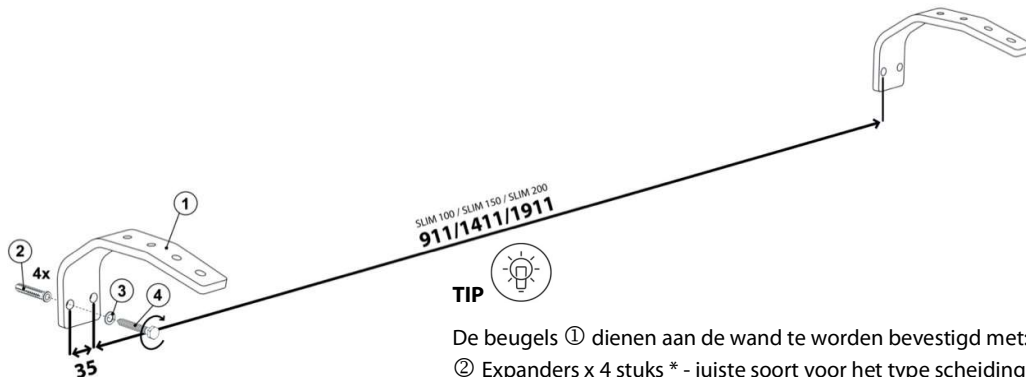
AFB 9.2 AFSTAND DRAADSTANGEN.



LET OP  Zet de achterste stangen vast met borgmoeren.

AFB. 9.3 WATERPAS HANGEN EN VASTZETTEN MET BORGMOER.

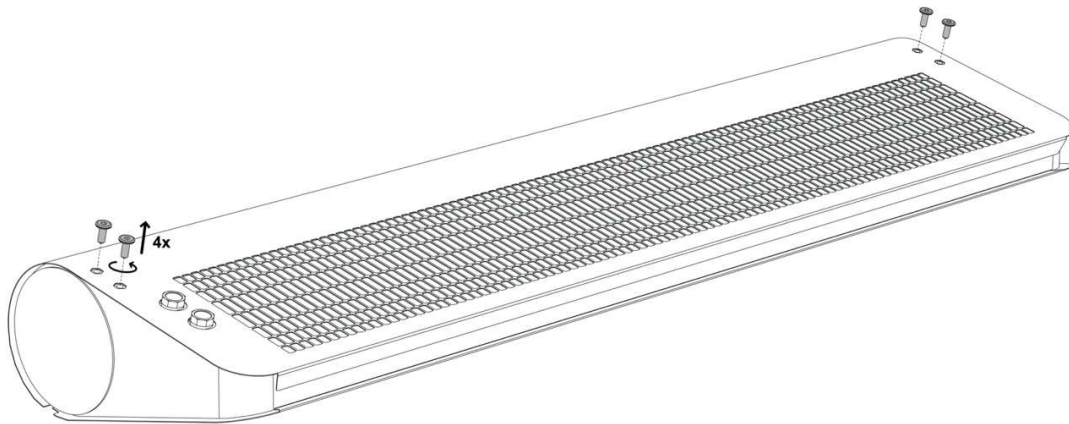
10. MONTAGE MET BEUGELS



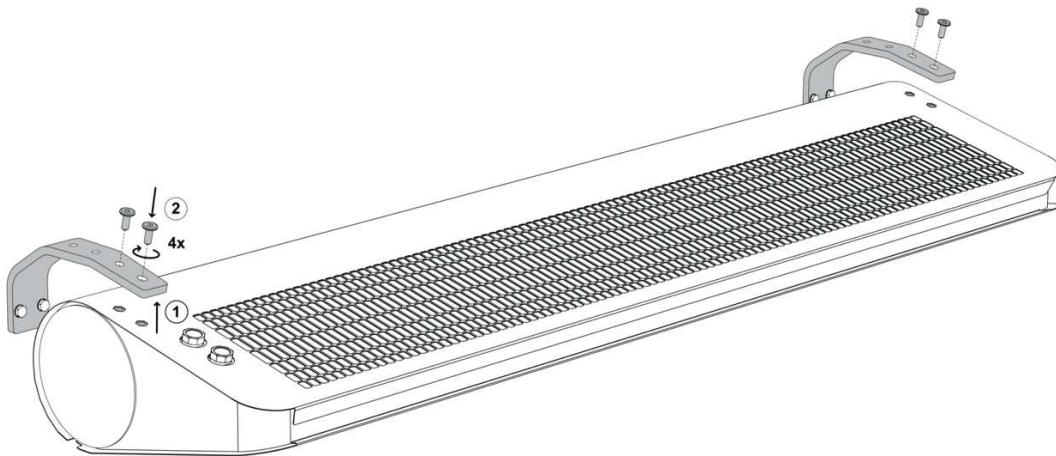
TIP 

- De beugels ① dienen aan de wand te worden bevestigd met:
- ② Expanders x 4 stuks * - juiste soort voor het type scheidingswand
 - ③ Borgringen x 4 stuks *
 - ④ Verankeringsbouten x 4 stuks * - maximaal formaat M10
- * Niet meegeleverd

AFB 10.1. AFSTAND TUSSEN MONTAGEBEUGELS.

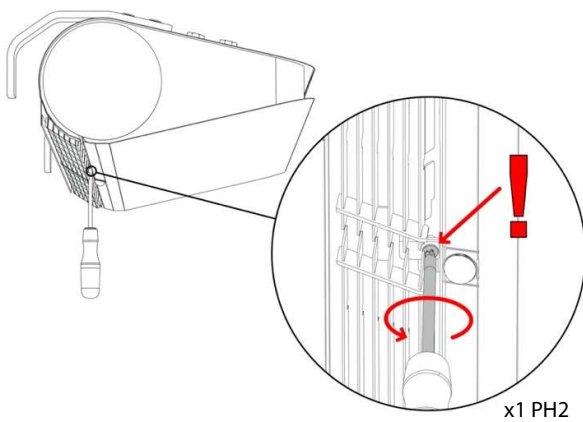


AFB 10.2. SCHROEF DE BOUTEN LOS.

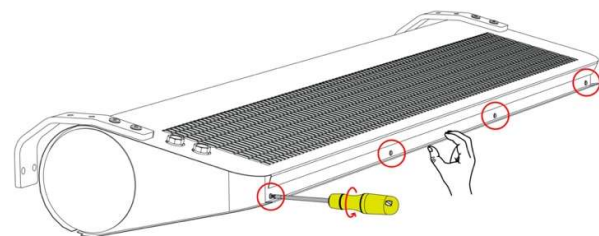


AFB. 10.3 MONTAGE MET BEUGEL MET BEHULP VAN BOUTEN.

11. AANSLUITING ELEKTRISCHE INSTALLATIE

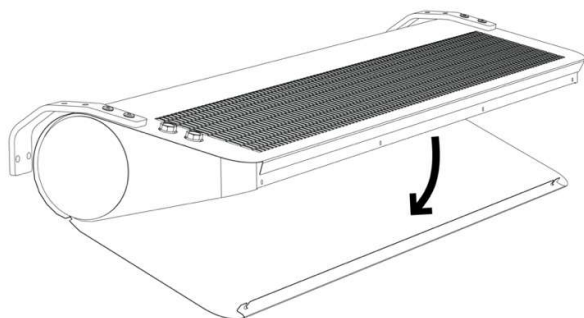


AFB. 11.1 VERWIJDER DE SCHROEF NAAST DE GRILLE.

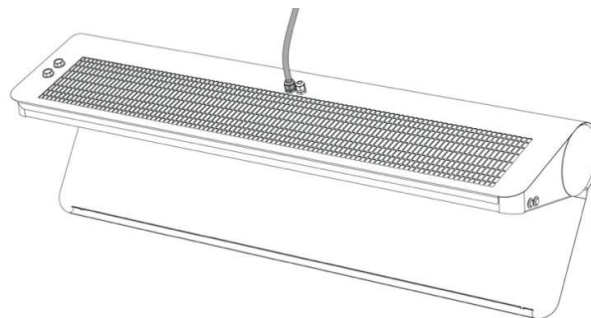


SLIM .. 100 x3 PH2
SLIM .. 150 x4 PH2
SLIM .. 200 x5 PH2

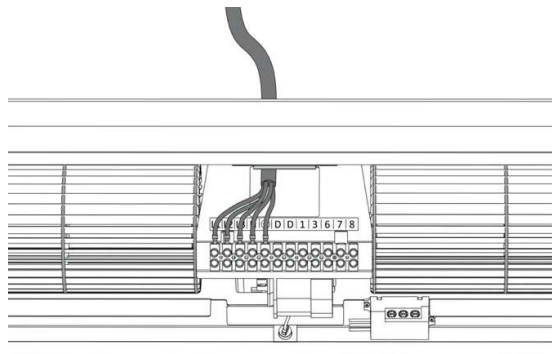
AFB. 11.2 VERWIJDER DE SCHROEVEN AAN DE VOORKANT.



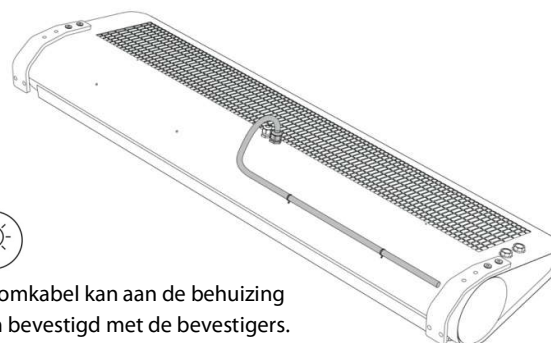
AFB. 11.3 OPEN DE SERVICEKLEP.



AFB. 11.4 TREK DE KABEL DOOR DE WARTEL.



AFB. 11.5 SLUIT DE KABEL AAN.



TIP

De stroomkabel kan aan de behuizing worden bevestigd met de bevestigigers.

AFB. 11.6 KABEL BEVESTIGEN AAN DE BEHUIZING.

WAARSCHUWING



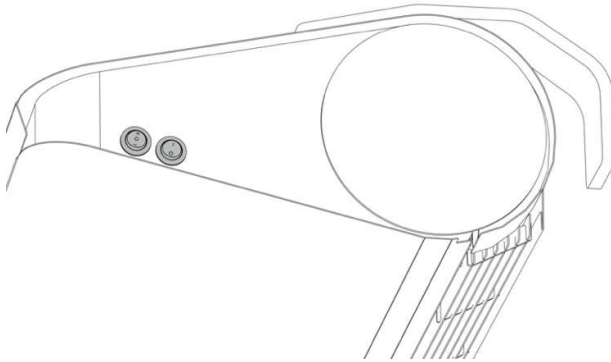
1. De stroom dient te worden aangesloten conform de technische documentatie. De installatie van het apparaat dient altijd te worden uitgevoerd in overeenstemming met de geldende lokale veiligheidsnormen.
2. De doorsnede en het type kabel dienen te worden gekozen door de ontwerper. (Zorg altijd voor de juiste aansluitwaarde van de installatieautomaat en werkschakelaar).
3. Zorg ervoor dat de aansluiting van de voeding en bedieningselementen op het SLIM luchtgordijn plaatsvindt in overeenstemming met de elektrische specificaties en instructies in de aansluitschema's in de technische documentatie.
4. Controleer vóór het aansluiten van de stroomvoorziening of de netspanning overeenkomt met de spanning op het typeplaatje van het apparaat.
5. Controleer de stroomaansluiting vóór het aansluiten van het luchtgordijn.
6. Het is niet toegestaan het apparaat op te starten zonder de aardingsdraad aan te sluiten.
7. Bescherm de stroomkabel tegen lostrekken door wartel PG16 of PG11 vast te klemmen.
8. Draai alle aansluitkabels in het blok goed aan.
9. Bij gevaar als gevolg van een onbedoelde reset van de thermische schakelaar mag dit luchtgordijn (SLIM E) niet worden gevoed door een extern aansluitapparaat zoals een tijdschakelaar, of worden aangesloten op een circuit dat tijdens gebruik regelmatig wordt in- en uitgeschakeld.
10. **Start het apparaat niet op met de serviceklep open.**

12. INGEBOUWDE REGELING

Het gordijn heeft ingebouwde software die de automatische werking mogelijk maakt op basis van het signaal van de bewegingssensor. Het apparaat heeft een schakelaar voor ventilatorstanden (stand 1, UIT, stand 3) en een aan-uitschakelaar voor de verwarmingselementen of de klepopening. De schakelaars bevinden zich aan de rechterzijde van het apparaat en dienen vrij toegankelijk te zijn.

Het apparaat start automatisch op zodra beweging wordt waargenomen in het sensorgebied en werkt volgens de instellingen die op de schakelaars zijn geselecteerd.

FABRIEKSINSTELLINGEN:C: 2000 lux; B: 10 s; A: 6 m; verwarmingsschakelaar-onderste positie O; Selectie ventilatorstand-middelste positie O.



AFB. 12.1. FUNCTIES VAN KNOPPEN/SCHAKELAARS.



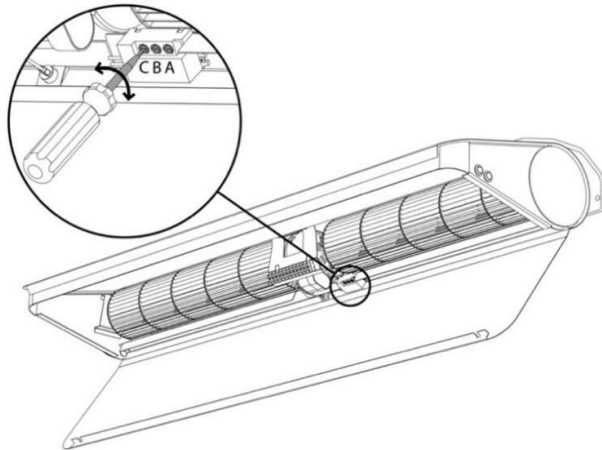
II – ventilatorstand 3;
O – apparaat UITSCHAKELEN, d.w.z. ventilatorsnelheid en verwarming;
I – ventilatorstand 1.



I – verwarmingselementen (SLIM E)/klep (SLIM W) meegeleverd;
O – verwarmingselementen (SLIM E)/klep (SLIM W) uitgeschakeld



TIP
 Activering van het verwarmingssignaal wordt gesignaleerd door een rood verlichte schakelaar



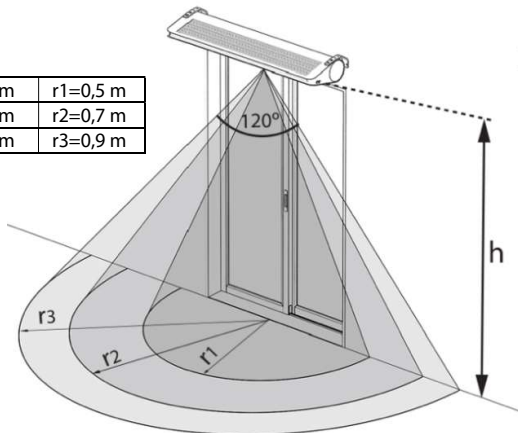
AFB. 12.2 AANPASSING VAN PARAMETERS BEWEGINGSENSOR.

C - lichtgevoeligheid; bereik [10 lux ... 2000 lux];
B - uitschakelvertraging; bereik [10 s ... 420 s];
A - aanpassing sensorbereik; bereik [2-6 m].

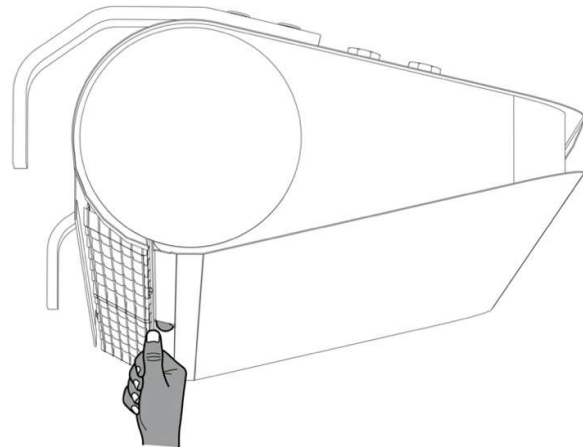


TIP
 Indien het gebied voor bewegingsdetectie te groot is, dient eerst het activeringsgebied te worden aangepast (zie AFB. 12.3 en 12.4)

h=2,1 m	r1=0,5 m
h=2,8 m	r2=0,7 m
h=3,2 m	r3=0,9 m

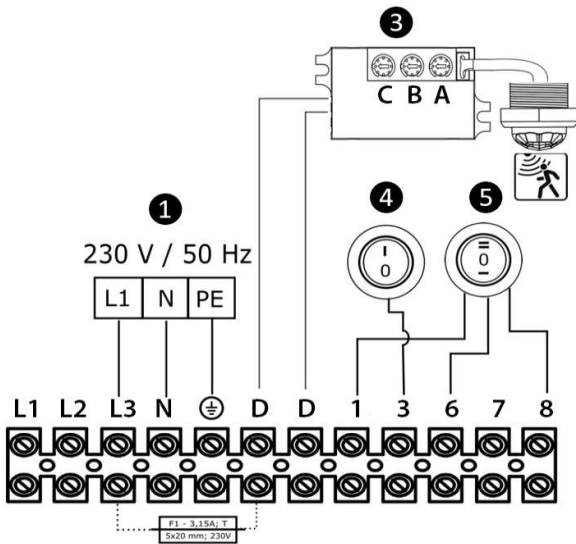


AFB. 12.3 BEDIENINGSGBIED VAN BEWEGINGSENSOR BIJ MONTAGE OP VERSCHILLENDE HOOGTEN.

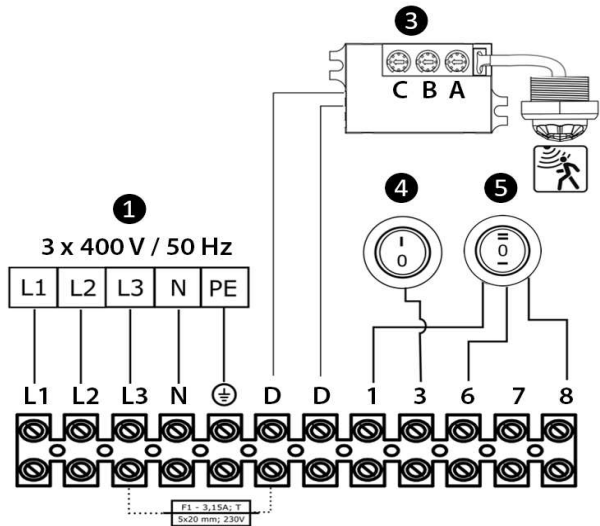


AFB. 12.4 AANPASSING VAN ACTIVERINGSGBIED BEWEGINGSENSOR.

13. INGEBOUWDE REGELING – AANSLUITSHEMA SLIM E



AFB. 13.1 STROOMVOORZIENING 1N ~ 230 V/50 Hz



AFB. 13.2 STROOMVOORZIENING 3N ~ 400 V/50 Hz

1 Stroomvoorziening:

1N ~ 230 V/50 Hz:

- SLIM E-100 (min. 3x1,5 mm²; bescherming B10)
- SLIM E-150 (min. 3x1,5 mm²; bescherming B16)
- SLIM E-200 (min. 3x2,5 mm²; bescherming B20)

3N ~ 400 V/50 Hz:

- SLIM E-100 (min. 5x2,5 mm²; bescherming B16)
- SLIM E-150 (min. 5x2,5 mm²; bescherming B20)
- SLIM E-200 (min. 5x4,0 mm²; bescherming B25)



TIP

- De maximale buitendiameter van de kabelmantel is 14,0 mm;
- De minimale buitendiameter van de kabelmantel is 4,0 mm;
- Maximale kabeldiameter 4,0 mm².

3 Bewegingssensor; om de bewegingssensor weg te laten/te omzeilen: maak de draden van connectoren D los en isoleer/borg ze; D, een kabeljumper (min. 1x1,0 mm²) of een deursensor (min. 2x1,0 mm²) dient op deze plek te worden aangesloten;

4 Verwarmingsschakelaar (I – verwarmingselementen AAN, O – verwarmingselementen UIT);

5 Schakelaar ventilatorstanden (I – stand 1, O – apparaat UIT, II – stand 3).



TIP

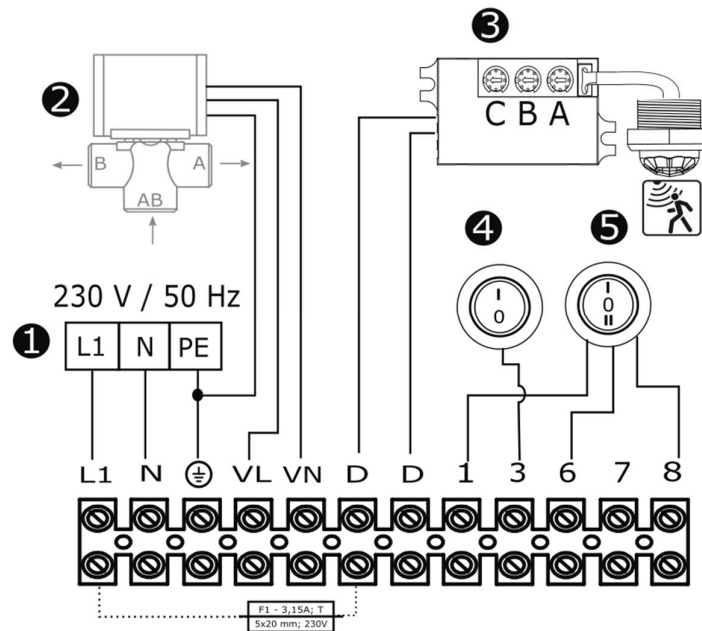
- 1) Om de tweede ventilatorstand aan te sluiten, verbindt u de kabel van de zesde connector met de zevende connector. In dit geval zal positie I op de schakelaar (het AANZETTEN van ventilatorstand) 2 betekenen.
- 2) Steeds wanneer het gordijn door een bewegingssensor wordt geactiveerd, werkt het gedurende een ingestelde tijd (standaard 10 s), tenzij er beweging wordt waargenomen in het gebied dat binnen het bereik van de sensor valt.
- 3) Het apparaat start automatisch zodra beweging wordt waargenomen in het sensorgebied en werkt volgens de instellingen die op de schakelaars zijn geselecteerd.



WAARSCHUWING

Bij gevaar als gevolg van een onbedoelde reset van de thermische beveiligingsschakelaar mag dit apparaat niet worden gevoed door een extern aansluitapparaat zoals een tijdschakelaar, of worden aangesloten op een circuit dat tijdens gebruik regelmatig wordt in- en uitgeschakeld.

14. INGEBOUWDE REGELING – AANSLUITSCHEMA SLIM W; SLIM N



AFB. 14.1 STROOMVOORZIENING 1N ~ 230 V/50 Hz

- ① Stroomvoorziening: 1N ~ 230 V/50 Hz (min. 3x1,5 mm²; bescherming B4)
- ② SRQ3d ½"; SRQ2d ½" klep met motor (min. 3x0,75 mm²)



TIP

- De maximale buitendiameter van de kabelmantel is 14,0 mm;
- De minimale buitendiameter van de kabelmantel is 4,0 mm;
- Maximale kabeldiameter 4,0 mm².

- ③ Bewegingssensor; om de bewegingssensor weg te laten/te omzeilen: maak de draden van connectoren D los en isoleer/borg ze; D, een kabeljumper (min. 1x1,0 mm²) of een deursensor (min. 2x1,0 mm²) dient op deze plek te worden aangesloten;
- ④ Verwarmingsschakelaar (SLIM W) (I – klep open, O – klep dicht); Klep – een optioneel accessoire;
- ⑤ Schakelaar ventilatorstanden (SLIM W/N) (I – stand 1, O – apparaat UIT, II – stand 3).

- 1) Om de tweede ventilatorstand aan te sluiten, verbindt u de kabel van de zesde connector met de zevende connector. In dit geval zal positie I op de schakelaar het AANZETTEN van ventilatorstand 2 betekenen.
- 2) Steeds wanneer het gordijn door een bewegingssensor wordt geactiveerd, werkt het gedurende een ingestelde tijd (standaard 10 s), tenzij er beweging wordt waargenomen in het gebied dat binnen het bereik van de sensor valt.
- 3) Het apparaat start automatisch zodra beweging wordt waargenomen in het sensorgebied en werkt volgens de instellingen die op de schakelaars zijn geselecteerd.

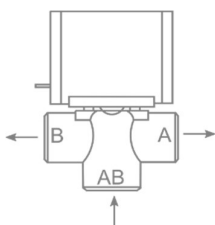


TIP

KLEPPARAMETERS SRQ:

- SRQ3d ½" – Driewegklep ½" met motor
- SRQ2d ½" – Tweewegklep ½" met servomotor

Beschermingsklasse: IP20
 Voedingsspanning: 230 V/50 Hz
 Max. temperatuur van het medium: + 93 °C Max. bedrijfsdruk: 2.1 Mpa
 SRQ2d 1/2 "Kvs: 3,0 m³/h
 SRQ3d 1/2 "Kvs: 3,4 m³/h
 Looptijd motor: 18 s

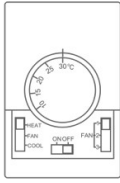


A – Watertoevoer retour naar installatie
 AB - Watertoevoer driewegklep
 B – Watertoevoer warmtewisselaar

15. REGELING - OPTIONELE ELEMENTEN

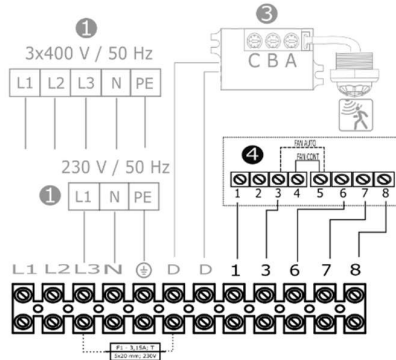
TS

Driestaps-regelaar met ingebouwde thermostaat

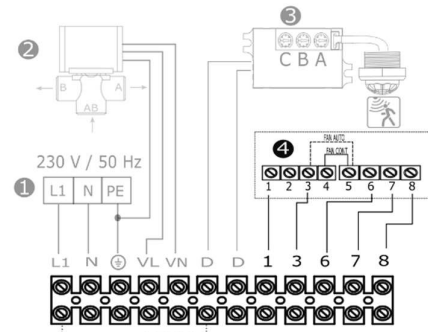


Instelbereik temperatuur: +10 ... +30°C
 Gebruikstemperatuurbereik: 0 ... +40°C
 Isolatieklasse: IP30
 Belasting van de contacten: inductief: 5 A
 Voedingsspanning: 230 V/50 Hz

FAN AUTO - ventilatorwerking afhankelijk van de temperatuur.
 FAN CONT - ventilator continu in werking
 HEAT - verwarmingsfunctie
 FAN - deactiveren van de thermostaat voor FAN CONT
 COOL - omkering van de werkingslogica van de thermostaat = NVT voor dit luchtgordijn.



15.1. SLIM E + TS.



15.2. SLIM W/N + TS.

- 1 2 3 Het aansluitschema voor de overige elementen en een beschrijving van de kabels en beveiligingselementen vindt u in hoofdstuk 12 en 13.
 4 TS ventilatorregeling met 3 standen met thermostaat TS (bekabeling min. 5x1,0 mm²).



TIP

Het luchtgordijn wordt automatisch geactiveerd zodra er beweging wordt waargenomen in het sensorgebied en werkt met de instellingen zoals geselecteerd op de TS-regelaar. Om uitsluitend met de TS-regelaar te werken, dient een kabeljumper (min 1,0mm²) te worden geplaatst tussen de connectoren: D; D; - zie 5 hoofdstuk 13 en 14

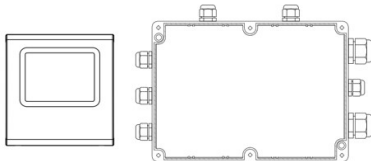
WAARSCHUWING



Bij aansluiting van de TS-regelaar op het luchtgordijn dient u de draden van connectoren 1, 3, 6 en 8 los te koppelen en te isoleren. In dit geval zijn de ingebouwde schakelaars **losgekoppeld en inactief**.

T-box/T-box Zone + DRV Slim (BMS-mogelijkheid)

T-box/T-box Zone + DRV Slim - regelaar met aanraakscherm + regelsysteem



T-box/T-box Zone:
 Instelbereik temperatuur: +5 ... + 35°C
 Gebruikstemperatuurbereik: -10 ... + 60°C
 Isolatieklasse: IP30
 Voedingsspanning: 24 VDC

DRV Slim:
 Gebruikstemperatuurbereik: -10 ... + 60°C
 Isolatieklasse: IP54
 Voedingsspanning: 230 V / 50 Hz

ZIE DOCUMENTATIE DRV SLIM VOOR AANSLUITSCHEMA



TIP

Bij samenwerking met DRV Slim met een ingebouwde bewegingssensor dient het AS-gordijn te worden gebruikt: SLIM N/W/E-100/150/200 /AS Dit betreft een apart art nummer. Raadpleeg uw verkooppunt

Zie documentatie DRV Slim voor aansluitschema.

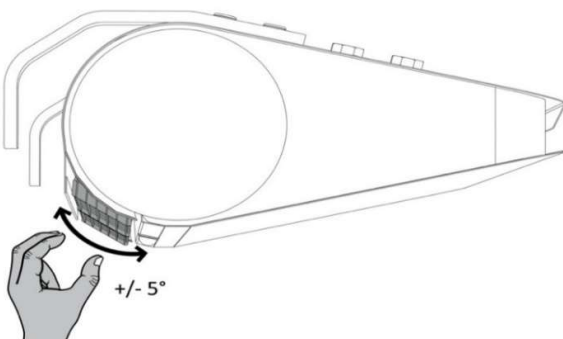
WAARSCHUWING



Bij aansluiting van de DRV Slim regelaar op het luchtgordijn dient u de draden van connectoren 1, 3, 6 en 8 los te koppelen en te isoleren. In dit geval zijn de ingebouwde schakelaars losgekoppeld en inactief.

Draden van connectoren: D; D; hoeven alleen te worden losgekoppeld en geïsoleerd indien het gordijn samenwerkt met DRV Slim met ingebouwde bewegingssensor. In dit geval werkt het gordijn volgens de software in de DRV Slim.

16. AFSTELLING VAN DE UITLAATGRILLE



AFB. 16.1 HANDMATIG AFSTELLEN VAN DE UITLAATGRILLE.

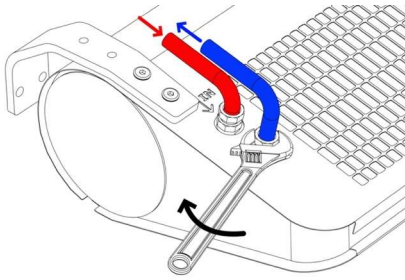
Het apparaat is uitgerust met twee onafhankelijk van elkaar verstelbare uitlaatgrilles. De hoek dient handmatig te worden ingesteld binnen +/- 5 graden. De luchtstroom uit de uitlaatgrille dient zo dicht mogelijk bij het vlak van de deuropening te worden gericht (rekening houdend met de aanwezige situatie bij de deuropening).



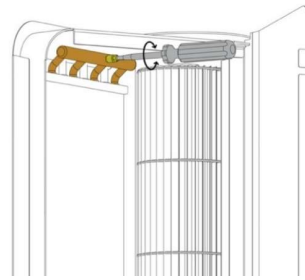
TIP

Om de effectiviteit van de luchtbarrière bij omstandigheden met veel wind te verhogen, dient de luchtstroom van het luchtgordijn buiten de deur te worden gericht voor een efficiëntere luchtbarrière tegen externe factoren.

17. AANSLUITING VAN HYDRAULISCHE INSTALLATIE



AFB. 17.1 AANVOER VAN HET VERWARMINGSMEDIUM.



AFB. 17.2 ONTLUCHTINGS-/AFVOERKLEP.

WAARSCHUWING

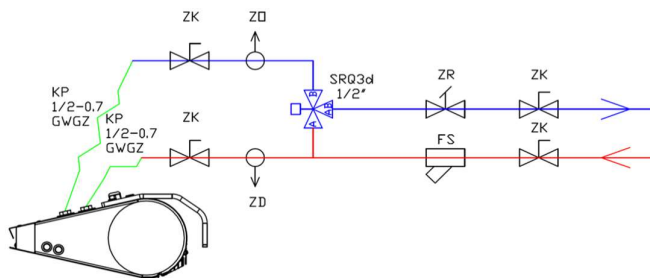


1. Sluit de stroomtoevoer naar het gordijn af voordat u de waterinstallatie aansluit.
2. Er mag geen spanning op de aansluitingstaan. **Zorg dat u de aansluitingen op de warmtewisselaar niet kapot draait. Gebruik altijd twee verstelbare moersleutels. We adviseren tevens flexibele slangen te gebruiken voor de aanvoer van het verwarmingsmedium.**
3. De watertoevoer dient te worden aangesloten op de connector met daarop het symbool ↓ IN.
4. Het systeem met het verwarmingsmedium dient te worden beveiligd tegen het oplopen van de druk van het verwarmingsmedium boven de toelaatbare waarde (1,6 MPa/16 Bar).
5. Controleer vóór ingebruikname of het verwarmingsmedium juist is aangesloten en controleer het systeem op lekkages.
6. Tijdens de montage van het systeem is het absoluut noodzakelijk om de verbindingen van de warmtewisselaar onbeweeglijk maken.
7. Controleer na het vullen van het systeem met verwarmingsmedium de dichtheid van de hydraulische aansluitingen, inclusief de ingebouwde ontlufting.

TIP



1. Aanbevolen wordt om op het hoogste punt van de installatie ontluftings-/afvoerkleppen te gebruiken. Bij verticale installatie van het apparaat dient de ontlufting plaats te vinden met de ingebouwde klep (Afb. 17.2), waarbij de resterende onderdelen van het apparaat beschermd dienen te worden tegen waterschade/overstroming.
2. Indien het water langere tijd uit het apparaat wordt afgevoerd, dienen de wisselaarbuizen te worden doorgeblazen en gedroogd met perslucht.
3. De installatie dient zodanig te worden uitgevoerd dat het bij een eventuele storing mogelijk is om het apparaat te demonteren (het gebruik van flexibele slangen wordt aanbevolen). Gebruik voor dit doel afsluiters direct naast het apparaat. (Afb. 17.3).



ZK – kogelkraan.
 ZO – ontlufter.
 ZR – inregelventiel.
 ZD – aftapper.
 FS – gasfilter.
 KP - flexibele slangen

AFB. 17.3 VOORBEELD AANSLUITING VAN HYDRAULISCHE COMPONENTEN.

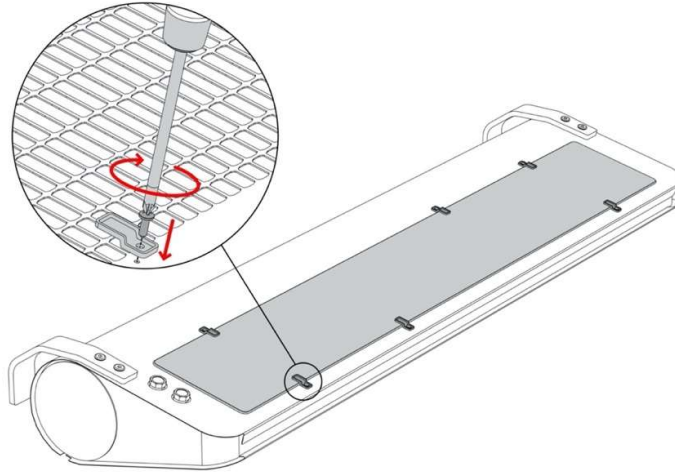
18. PARAMETERS VAN HET VERWARMINGSMEDIUM

De waterwarmtewisselaar kan worden gevoed met water of glycoloplossingen tot 60 procent. De buizen van de warmtewisselaar zijn gemaakt van koper. Het verwarmingsmedium mag geen corrosie van dit materiaal veroorzaken. Met name de onderstaande parameters dienen te worden aangehouden.

Parameter	Waarde
pH	7,5-9,0
Vervuiling	Vrij van sedimenten/deeltjes
Totale hardheid	[Ca ²⁺ ,Mg ²⁺]/ [HCO ₃ ⁻] > 0,5
Olie en vet	<1 mg/l
Zuurstof	<0,1 mg/l
HCO ³	60-300 mg/l
Ammoniak	< 1,0 mg/l
Sulfiden	< 0,05 mg/l
Chloriden, Cl	<100 mg/l

19. FILTERINSTALLATIE (LOS TE BESTELLEN)

De N- en W-uitvoeringen van de SLIM luchtgordijnen zijn klaar voor gebruik met een uitwendig COARSE 30% filter dat op de bovenzijde van het apparaat is bevestigd. Het filter dient periodiek te worden vervangen, afhankelijk van de mate van vervuiling. Vervang het filter door de montagebeugels los te maken en vervolgens te draaien.



AFB. 19.1 LUCHTFILTER MONTEREN EN VERVANGEN.

20. GEBRUIK

1. Het apparaat dient periodiek te worden gecontroleerd. Deze werkzaamheden mogen UITSLUITEND worden uitgevoerd door bevoegde personen. Indien het apparaat niet correct werkt, zet het dan onmiddellijk UIT en neem contact op met UW INSTALLATEUR.
2. Probeer het apparaat niet zelf te repareren, verplaatsen, wijzigen of opnieuw te installeren. Indien deze werkzaamheden door onbevoegde personen worden uitgevoerd, kan dit leiden tot elektrische schokken of brand.
3. Gebruik het apparaat niet indien het is beschadigd. De fabrikant is niet aansprakelijk voor schade als gevolg van het gebruik van een beschadigd apparaat.
4. Het apparaat is bedoeld voor gebruik binnenshuis bij temperaturen boven 0 °C. Bij temperaturen onder 0 °C zou het medium kunnen bevriezen.

WAARSCHUWING



De fabrikant is niet verantwoordelijk voor schade aan de warmtewisselaar als gevolg van bevroering van het medium in de wisselaar.

1. De verwarmingselementen zijn voorzien van thermische beveiligingen die bij een te hoge omgevingstemperatuur de verwarming uitschakelen. De verwarming kan weer worden aangezet zodra de temperatuur is gedaald en:
 - a) er een handmatige reset is uitgevoerd door de verwarming AAN en UIT te zetten met de ingebouwde knop/schakelaar of de externe bediening;
 - b) automatische reset: wanneer er beweging wordt waargenomen binnen het sensorbereik of wanneer de ventilator op de hoogste stand wordt gezet;Als de verwarming meermaals uitschakelt, neem dan contact op met uw installateur.
2. In het geval van luchtgordijnen met watertoevoer: wanneer het water langere tijd uit het apparaat wordt afgevoerd, dienen de wisselaarbuizen te worden doorgeblazen met perslucht.



TIP

21. REINIGEN EN ONDERHOUD

Controleer periodiek (minstens tweemaal per jaar) de vervuilingsgraad van de warmtewisselaar (SLIM W) en elektrische luchtverwarmers (SLIM E). Verstopping van een deel van de luchtinlaat veroorzaakt een verlaging van het verwarmingsvermogen van het apparaat en heeft een nadelige invloed op de werking van de ventilator. In het geval van elektrische verwarmers kan dit leiden tot blijvend verlies van de nominale parameters.

Reiniging van de wisselaar dient volgens de onderstaande richtlijnen te gebeuren:

- De stroomvoorziening dient tijdens de reiniging te zijn onderbroken.
- Open de serviceklep.
- Pas op dat u bij het reinigen van de warmtewisselaar de aluminium lamellen niet verbuigt.
- We raden af om bij het reinigen scherpe voorwerpen te gebruiken om schade aan de lamellen te voorkomen.
- Reiniging met (droge) perslucht wordt aanbevolen.
- De warmtewisselaar mag niet worden gereinigd met water!
- Reiniging dient plaats te vinden op dusdanige manier, waarbij de blaasmond van een luchtpistool loodrecht op de warmtewisselaar wordt geplaatst.



TIP

22. NALEVING VAN 2009/125/EG

	SLIM 100	SLIM 150	SLIM 200
1.	Niet van toepassing, vermogen op het optimale energie-efficiëntiepunt <0,125 kW	17,2	17,1
2.		B	B
3.		Totaal	
4.		21	21
5.		VSD - Nee	
6.		2020	2020
7.		FLOWAIR Sp. z O.O., 0000998741, Polen	
8.			
9.		0,139 kW, 1242 m ³ /u, 58 Pa	0,197 kW, 2167 m ³ /u, 56 Pa
10.		1288 TPM	1298 TPM
11.		1,0	1,0
12.		Demontage van het apparaat dient te worden uitgevoerd door gekwalificeerde personen die bekend zijn met de documentatie van dit apparaat. Lees voor het afdanken van dit apparaat het hoofdstuk CONFORMITEIT MET WEEE-RICHTLIJN 2012/19/EU	
13.		De levensduur van het apparaat hangt af van de naleving van de richtlijnen in dit document, met name de richtlijnen met de vermelding LET OP en WAARSCHUWING	
14.		Behuizing van het apparaat	

23. CONFORMITEIT MET WEEE-RICHTLIJN 2012/19/EU

Een bedrijf leiden zonder schade aan het milieu en met naleving van de regels voor de juiste behandeling van afgedankte elektrische en elektronische apparatuur heeft bij FLOWAIR prioriteit.

Het symbool van de afvalcontainer met een kruis erdoor op de apparatuur, de verpakking of bijgesloten documenten betekent dat het product niet bij ander afval mag worden weggegooid. Het is de verantwoordelijkheid van de gebruiker om de gebruikte apparatuur in te leveren bij een daartoe aangewezen inzamelpunt voor een juiste verwerking. Het symbool betekent dat de apparatuur na 13 augustus 2005 op de markt is gebracht.



Neem voor informatie over het recyclen van afgedankte elektrische en elektronische apparatuur contact op met uw lokale distributeur.

BELANGRIJK:

Gooi gebruikte apparatuur niet samen met ander afval weg! Dit kan een boete opleveren. De juiste behandeling van gebruikte apparatuur voorkomt mogelijke negatieve gevolgen voor het milieu en de volksgezondheid. Tegelijkertijd besparen we op natuurlijke hulpbronnen door hergebruik van grondstoffen die bij de verwerking van apparatuur worden verkregen.

24. SERVICE EN GARANTIEVOORWAARDEN

Neem voor meer informatie over de garantievoorwaarden en -beperkingen contact op met uw leverancier.

Neem bij storingen in de werking van de apparatuur contact op met uw installateur.

De fabrikant is niet aansprakelijk voor het gebruik van het apparaat op een wijze die niet in overeenstemming is met het beoogde doel, door personen die hiertoe niet bevoegd zijn en voor schade die hieruit voortvloeit!

Gefabriceerd in Polen.

Gefabriceerd in de EU

Fabrikant:

FLOWAIR SP. Z O.O.

Chwaszczyńska 135, 81-571 Gdynia

e-mail: info@flowair.pl

www.flowair.com

Distributeur.

DRL Products BV

Minervum 7268,

4817 ZM Breda,

The Netherlands

e-mail: info@drl-products.nl

www.flowair.nl

25. DEKLARACJA ZGODNOŚCI UE / DECLARATION OF CONFORMITY UE / ДЕКЛАРАЦИЯ О СООТВЕТСТВИИ UE / CONFORMITEITSVERKLARING UE

④ FLOWAIR SP. Z O.O.

ul. Chwaszczyńska 135, 81-571 Gdynia

e-mail: info@flowair.pl

www.flowair.com



① Kurtyny powietrzne / air curtains ② Slim;

③ 11.05.2022



DEKLARACJA ZGODNOŚCI UE / DECLARATION OF CONFORMITY UE	PL / EN
--	---------

④ Niniejszym deklarujemy, że kurtyny powietrzne / FLOWAIR hereby confirms that air curtains:

- ②SLIM: W-100; W-150; W-200; E-100; E-150; E-200; N-100; N-150; N-200;
- SLIM: W-100/AS; W-150/AS; W-200/AS; E-100/AS; E-150/AS; E-200/AS; N-100/AS; N-150/AS; N-200/AS;

⑤ zostały wyprodukowane zgodnie z wymaganiami następujących Dyrektyw Unii Europejskiej / were produced in accordance to the following Europeans Directives:

1. **2014/30/UE** Kompatybilności elektromagnetycznej / Electromagnetic Compatibility (EMC)
2. **2006/42/WE** Maszynowej / Machinery
3. **2014/35/UE** Niskonapięciowe wyroby elektryczne / Low Voltage Electrical Equipment (LVD)

⑥ oraz zharmonizowanymi z tymi dyrektywami normami /and harmonized norms, with above directives:

- PN-EN ISO 12100:2012** Bezpieczeństwo maszyn -- Ogólne zasady projektowania -- Ocena ryzyka i zmniejszanie ryzyka / Safety Of Machinery - General Principles For Design - Risk Assessment And Risk Reduction
- PN-EN 60335-1:2012** Elektryczny sprzęt do użytku domowego i podobnego - Bezpieczeństwo użytkowania - Część 1: Wymagania ogólne / Household and similar electrical appliances - Safety - Part 1: General requirements
- PN-EN 60335-2-30:2010** Elektryczny sprzęt do użytku domowego i podobnego - Bezpieczeństwo użytkowania - Część 2-30: Wymagania szczegółowe dotyczące ogrzewaczy pomieszczeń / Household and similar electrical appliances - Safety in use - Part 2-30: Particular requirements for space heaters
- PN-EN 61000-6-2:2019** Kompatybilność elektromagnetyczna (EMC) -- Część 6-2: Normy ogólne -- Norma dotycząca odporności w środowiskach przemysłowych / Electromagnetic compatibility (EMC). Generic standards. Immunity for industrial environments
- PN-EN 61000-6-3:2007** Kompatybilność elektromagnetyczna (EMC) - Część 6-3: Normy ogólne - Norma emisji dla urządzeń w środowiskach mieszkalnych / Electromagnetic compatibility (EMC) - Part 6-3: Generic standards - Emission standard for equipment in residential environments

⑦ oraz normami/and standards

- ISO 27327-1:2009** Wentylatory - Kurtyny powietrzne - Część 1: Laboratoryjne metody badania oceny właściwości aerodynamicznych / Fans - Air curtain units - Part 1 : laboratory methods of testing for aerodynamic performance rating
- ISO 27327-2:2014** Wentylatory - Kurtyny powietrzne - Część 2: Laboratoryjne metody badania mocy akustycznej / Fans – Air curtain units - Part 2: Laboratory methods of testing for sound power

③ 11.05.2022

Maciej Dumajski

⑦ Business Development Manager

Декларация о соответствии UE	Россия RU
<p>④ Компания FLOWAIR декларирует, что ① воздушные завесы, модели:</p> <ul style="list-style-type: none"> • ② SLIM: W-100; W-150; W-200; E-100; E-150; E-200; N-100; N-150; N-200; • SLIM: W-100/AS; W-150/AS; W-200/AS; E-100/AS; E-150/AS; E-200/AS; N-100/AS; N-150/AS; N-200/AS; <p>③ произведены согласно требованиям Директива Европейского Союза, ⑥ а также в соединении с данными директивами стандартами ⑦ и нормами.</p> <p>③ Подпись:</p> <p style="text-align: right;">③ Дата (день. месяц. год)</p>	

Conformiteitsverklaring UE	Nederland NL
<p>④ FLOWAIR verklaart hierbij dat ① het luchtgordijn:</p> <ul style="list-style-type: none"> • ② SLIM: W-100; W-150; W-200; E-100; E-150; E-200; N-100; N-150; N-200; • SLIM: W-100/AS; W-150/AS; W-200/AS; E-100/AS; E-150/AS; E-200/AS; N-100/AS; N-150/AS; N-200/AS; <p>③ zijn geproduceerd in overeenstemming met de volgende Europese Richtlijnen ⑥ en geharmoniseerde normen, met de bovenstaande richtlijnen ⑦ en normen.</p> <p>③ Handtekening:</p> <p style="text-align: right;">③ Datum (dd.mm.jjjj)</p>	